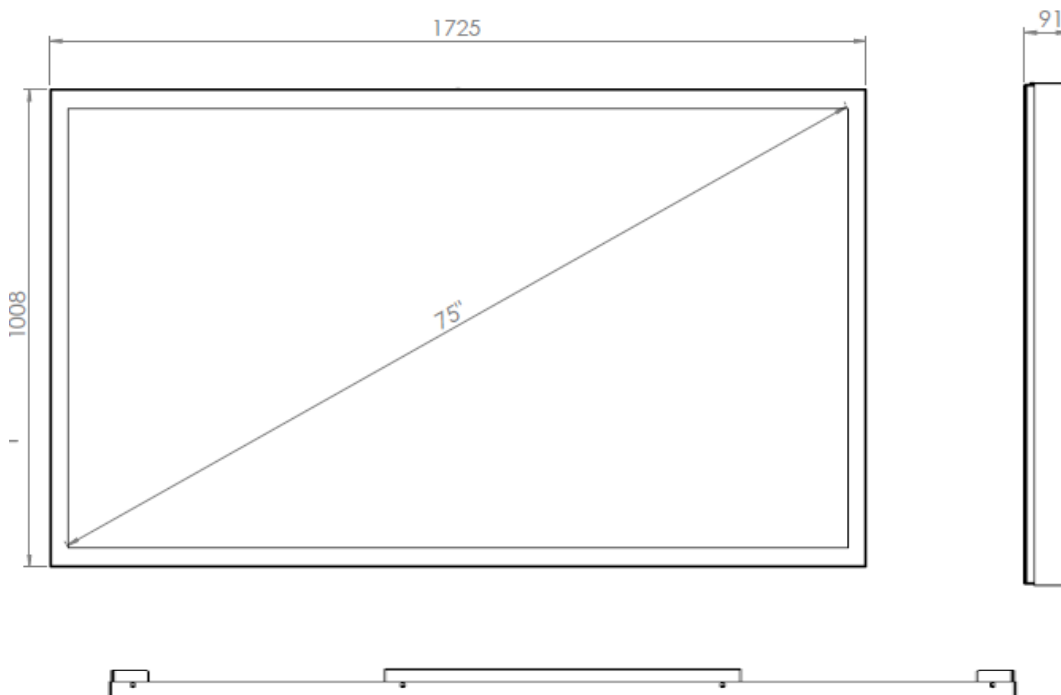


WALL CASING PROTECT 75" Landscape

HI-ND wall casing PROTECT is designed to give a professional signage feeling. Our wall casing PROTECT use 3 mm polycarbonate to protect the display. Different models in landscape and portrait mode to allow airflow from top to bottom as only the sides are covered completely to the wall. There is space for power plugs inside. Available in black and white as standard but custom colors and materials like brass and stainless steel can be ordered upon request. Designed for displays from Samsung QB75C/ QH75C and LG75UH5F.



TECHNICAL DRAWING



SPECIFICATION

FEATURES

- Designed for displays from Samsung QB75C/QH75C and LG75UH5F
- 3 mm polycarbonate protection
- Space for computer and power plugs inside
- Optimized air ventilation for landscape mode
- Wall mount included
- Available in different colors and materials

MATERIALS

- Powder coated metal

DISPLAY OPTIONS

- VESA 200x200 / 300x300

POWDER COATING OPTIONS

Black, RAL 9005str

White, RAL 9003str

Custom color upon request

PART NO AND DESCRIPTION

WC7500-0101-51 Wall Casing PROTECT 75", White

WC7500-0101-52 Wall Casing PROTECT 75", Black