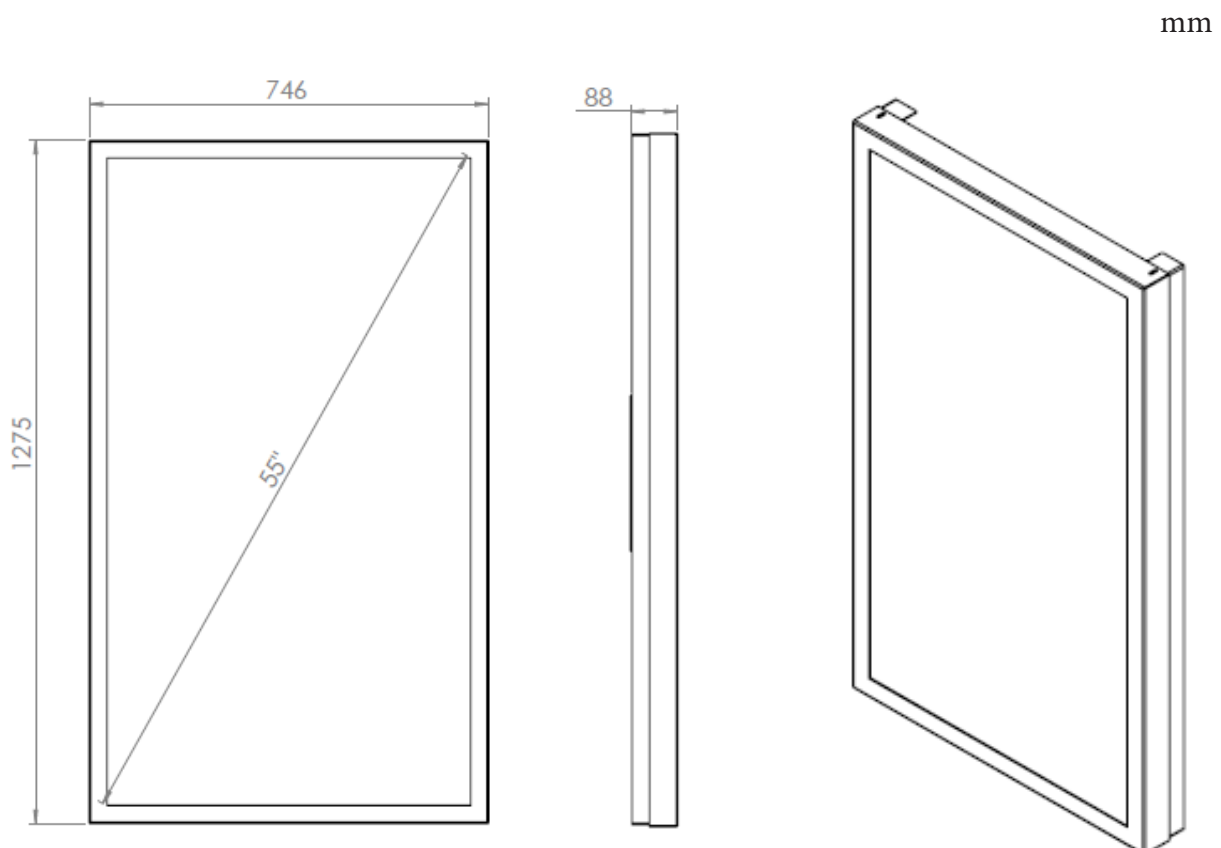


# WALL CASING PROTECT 55" Portrait

HI-ND wall casing PROTECT is designed to give a professional signage feeling. It has a polycarbonate protection. Different models in landscape and portrait mode to allow airflow from top to bottom as only the sides are covered completely to the wall. There is space for power plugs inside. Available in black and white as standard but custom colors and materials like brass and stainless steel can be ordered upon request. Designed for Samsung QMC, LG UM5N-E and UH5N-E.



## TECHNICAL DRAWING



# SPECIFICATION

---

## FEATURES

---

- Designed for Samsung QMC, LG UM5N-E and UH5N-E
- Space for power plugs
- Integrated display mount
- Polycarbonate protection

## MATERIALS

---

- Powder coated metal

## POWDER COATING OPTIONS

---

Black, RAL 9005str

White, RAL 9003str

Custom color upon request

## PART NO AND DESCRIPTION

---

WC5500-5201-51 Wall Casing PROTECT, White

WC5500-5201-52 Wall Casing PROTECT, Black