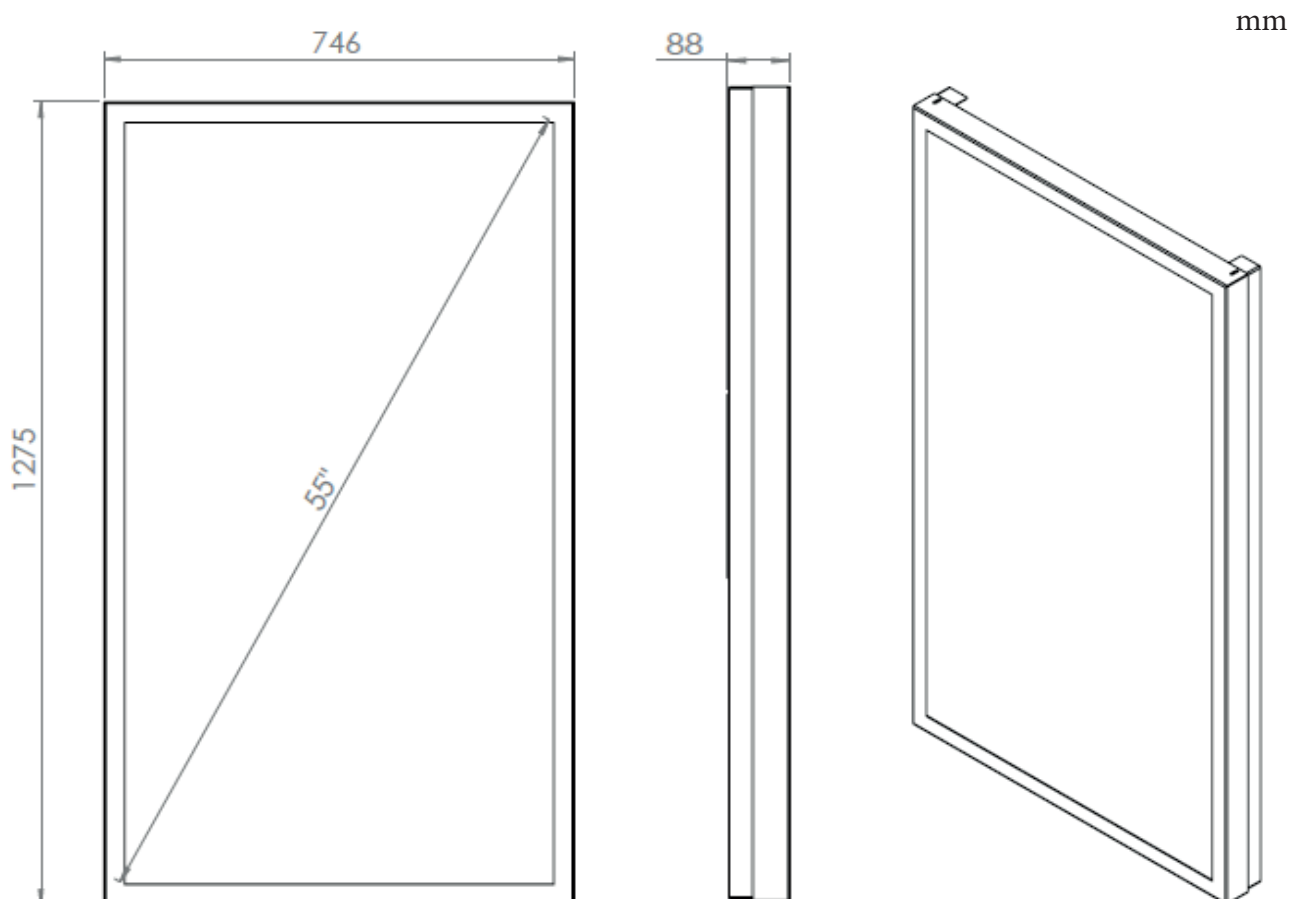


WALL CASING PROTECT 55" Portrait

HI-ND wall casing PROTECT is designed to give a professional signage feeling. It has polycarbonate protection. Different models in landscape and portrait mode to allow airflow from top to bottom as only the sides are covered completely to the wall. There is space for power plugs inside. Available in black and white as standard but custom colors and materials like brass and stainless steel can be ordered upon request. Designed for Samsung QMC - LG UM5N-E, UH5N-E.



TECHNICAL DRAWING



SPECIFICATION

FEATURES

- Designed for displays from Samsung QMC - LG UM5N-E, UH5N-E
- Space for power plugs
- Integrated display mount
- Polycarbonate protection

MATERIALS

- Powder coated metal

POWDER COATING OPTIONS

Black, RAL 9005str

White, RAL 9003str

Custom color upon request

PART NO AND DESCRIPTION

WC5500-5001-51 Wall Casing PROTECT, White

WC5500-5001-52 Wall Casing PROTECT, Black