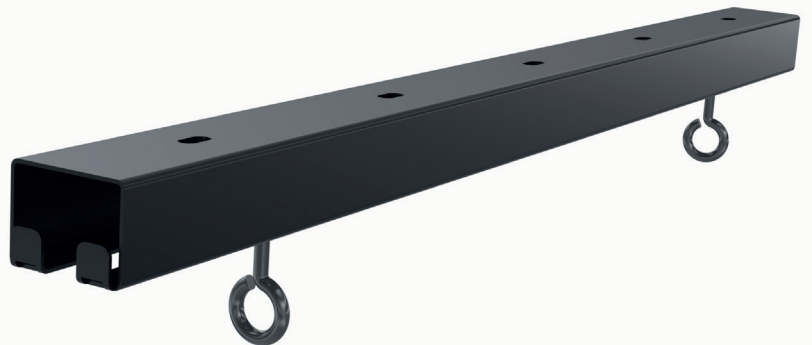
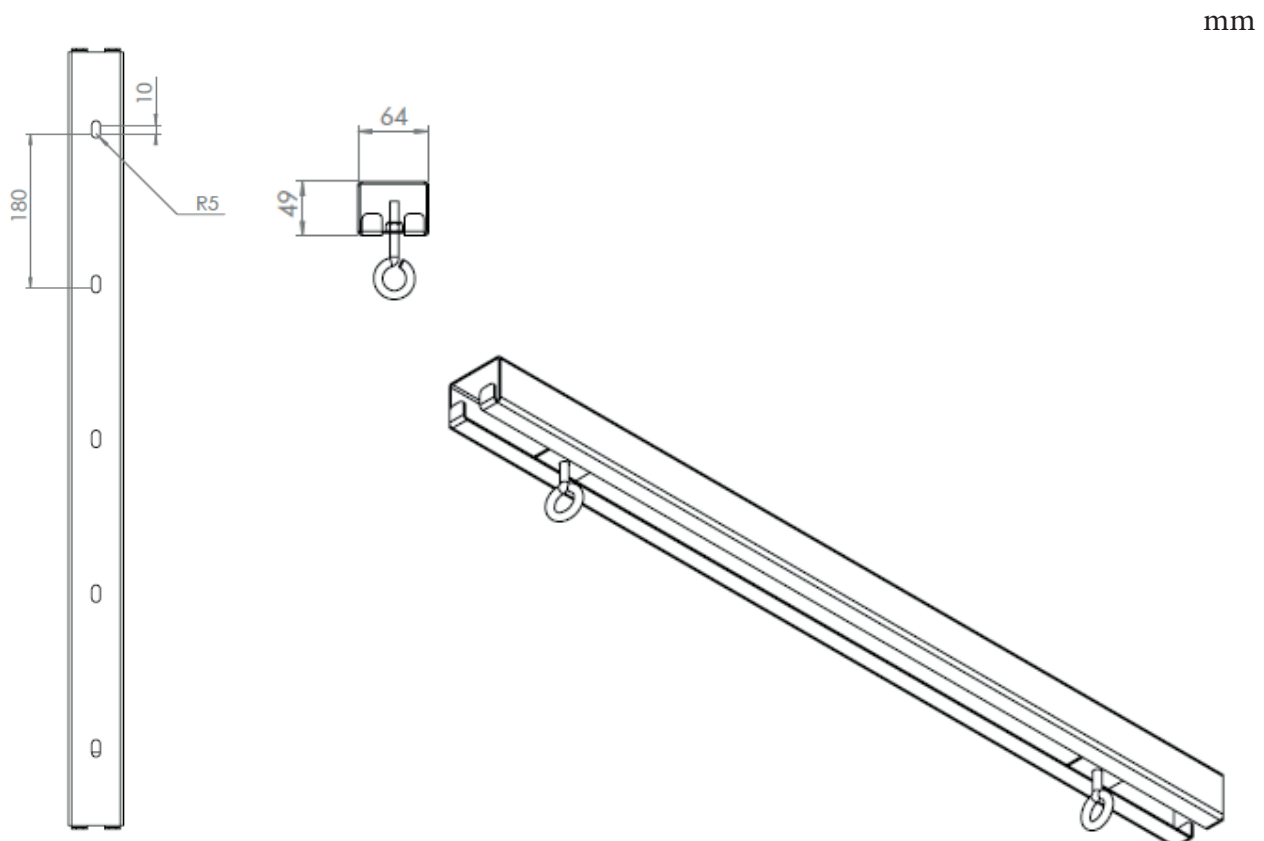


## CEILING MOUNT FOR WIRE SOLUTION

This ceiling mount for wire solution can be used with HI-ND wire kit. It is applicable with 43"-75" (max 100 kg) screens and available in black and white. It is 90 cm wide and the weight is 3 kg.



## TECHNICAL DRAWING



# SPECIFICATION

---

## FEATURES

---

- Designed for display sizes: 43"-75"
- Carries up to 100 kg

## MATERIALS

---

- Powder coated metal

## POWDER COATING OPTIONS

---

Black, RAL 9005str

White, RAL 9003str

Custom color upon request

## PART NO AND DESCRIPTION

---

VF0011-0101-01 Ceiling mount for wire solution, White

VF0011-0101-02 Ceiling mount for wire solution, Black