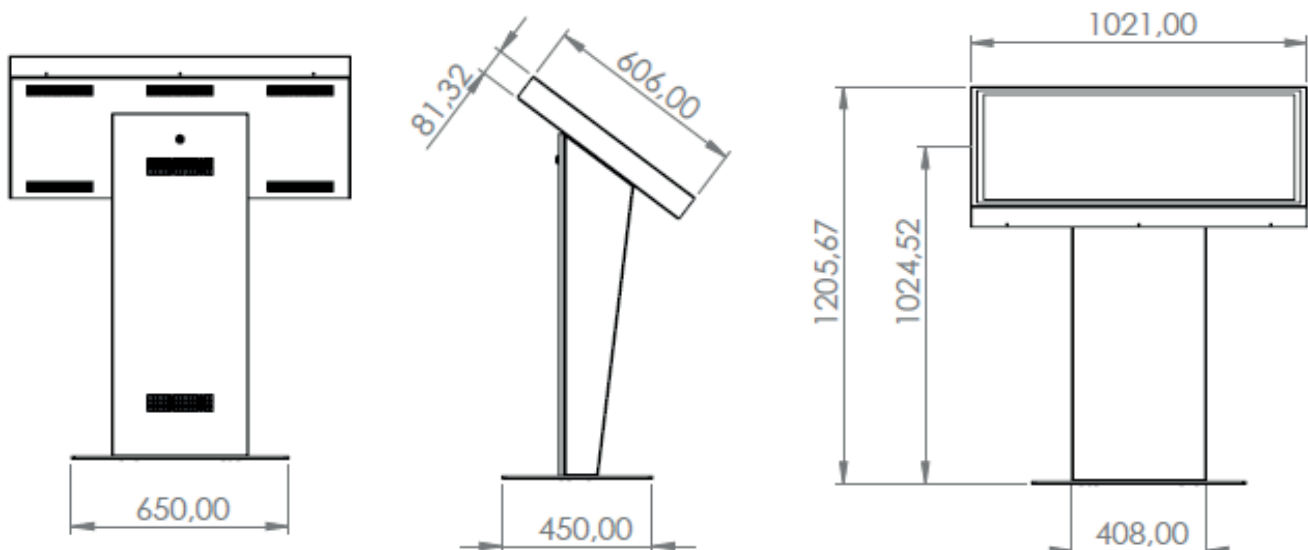


FLOORSTAND TOUCH 43" LANDSCAPE

The floorstand touch is designed to be robust and elegant. It is perfect for wayfinding in shopping malls and product orientation in retail stores. Designed for ELO Touch Open Frame 4363L.



TECHNICAL DRAWING



SPECIFICATION

FEATURES

- Cooling duct for air ventilation of computers inside the pillar
- Designed in landscape mode
- Easy access from behind for cable management and external computer
- Available in black or white
- Customized logo can be added

MATERIAL

- Powder coated metal

DISPLAY OPTIONS

ELO Touch Open Frame 4363L

POWDER COATING OPTIONS

Black, RAL 9005str

White, RAL 9003str

PART NO AND DESCRIPTION

FS4300-0101-01	Floorstand 43", ELO Touch, Landscape, White
FS4300-0101-02	Floorstand 43", ELO Touch, Landscape, Black

DESIGNER: Borhan Nekzada