

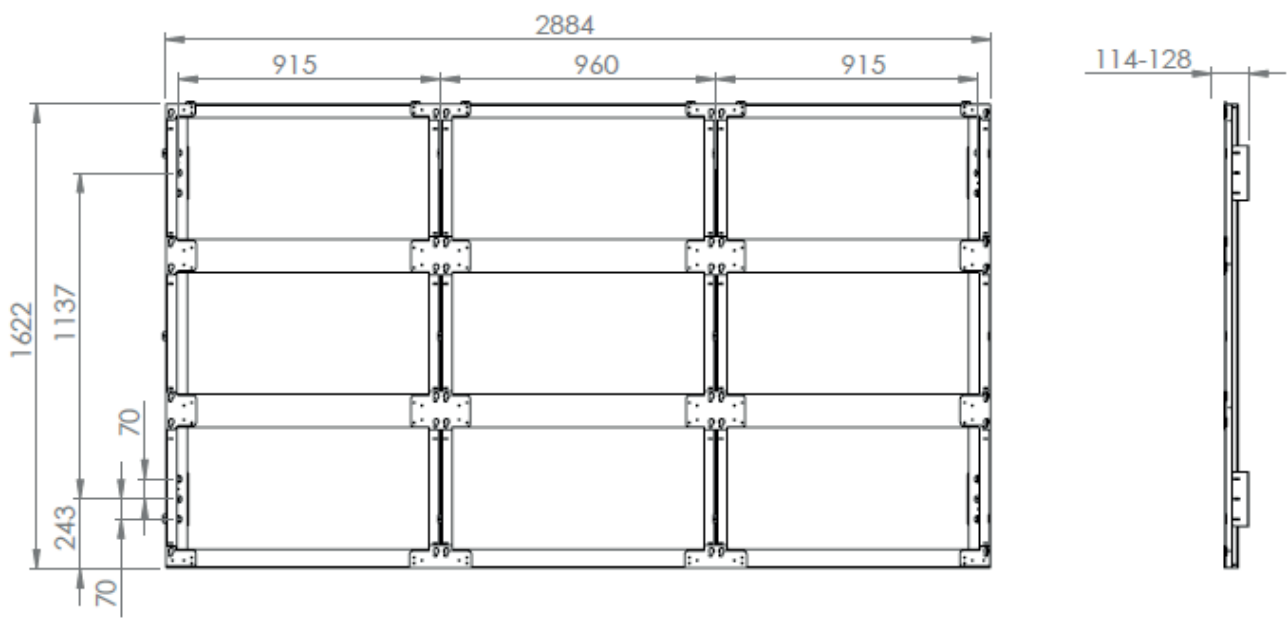
LED Wall Mount 3x3

HI-ND LED Wall is a preconfigured wall mount for Samsung LED displays. We now offer a complete solution including wall mounts and frame. The product is approved by Samsung.

The mounts are applicable with Samsung IEA, IER and IFR-series.



TECHNICAL DRAWING



SPECIFICATION

FEATURES

- LED 3x3 modules
- The frame is available in metal or wood (oak).
- Black as standard
- Custom color as options

MATERIALS

- Powder coated metal

POWDER COATING OPTIONS

Black, RAL 9005str

PART NO AND DESCRIPTION

LW-3301-02, LED Wall Mount 3x3, Black