

# INSTALLATION MANUAL

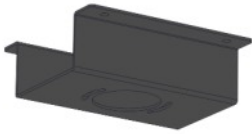


Product nr: CM6500-0101

CM3500-0101

# LIST OF PARTS

A1



B1



C1

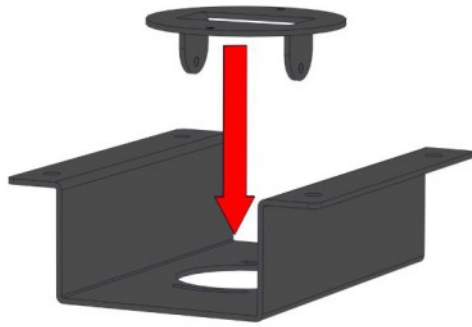


D1

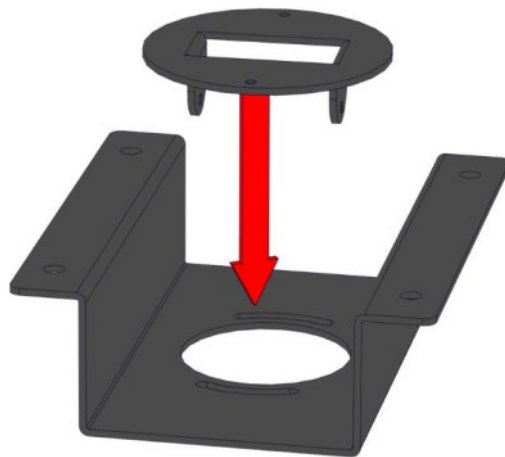


# ASSEMBLY INSTRUCTIONS

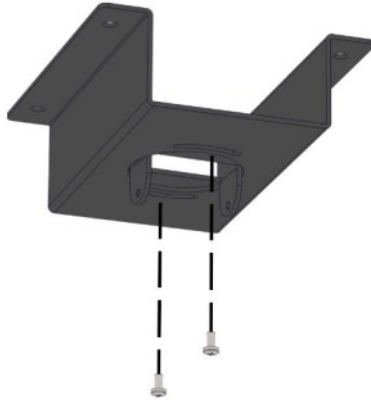


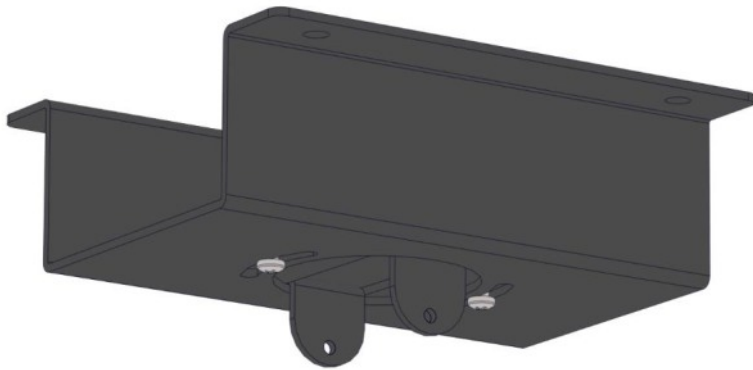
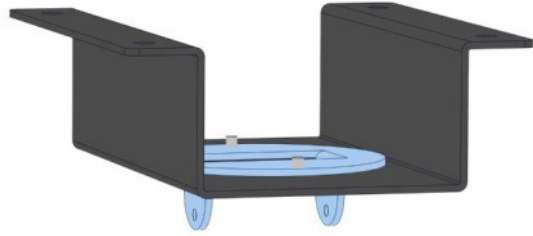


Attach the ceiling mount as shown in the picture. The telescope pipe can now be rotated

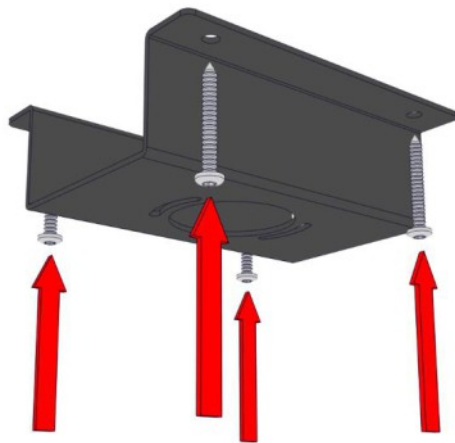
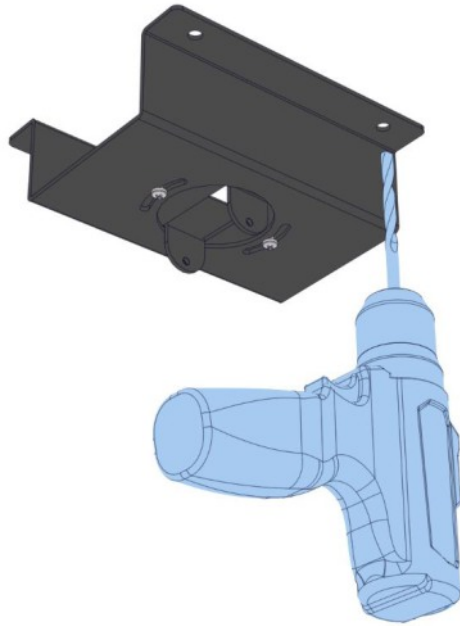


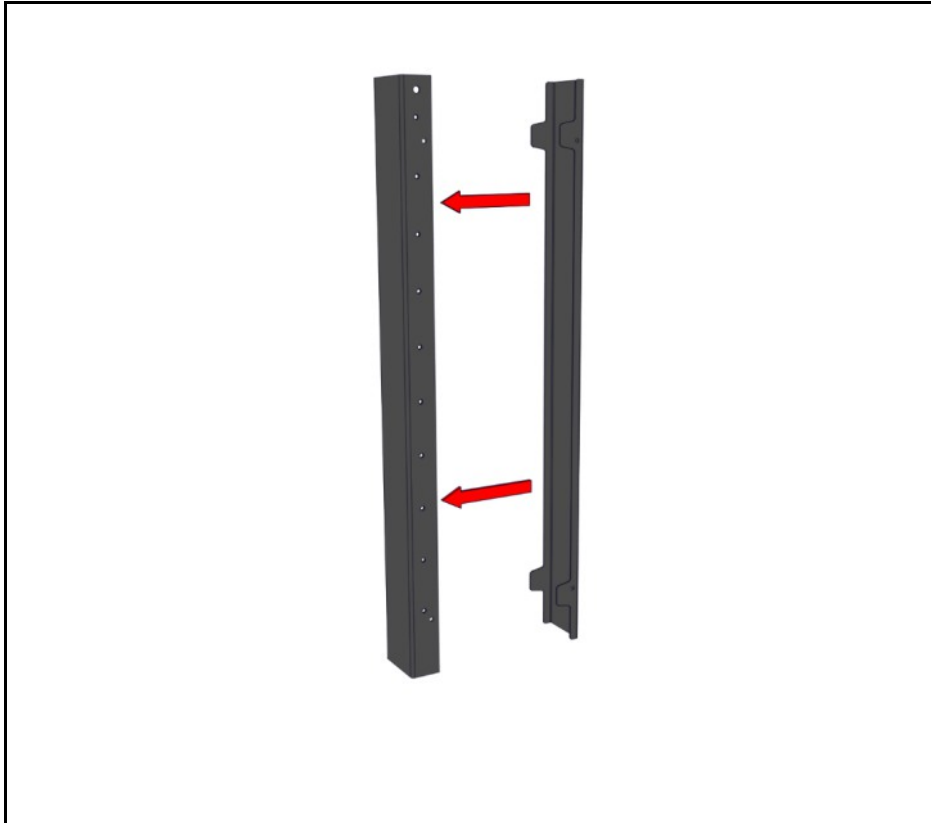
Use the two (2) screws to connect the inner plate





Drill holes to connect the ceiling mount



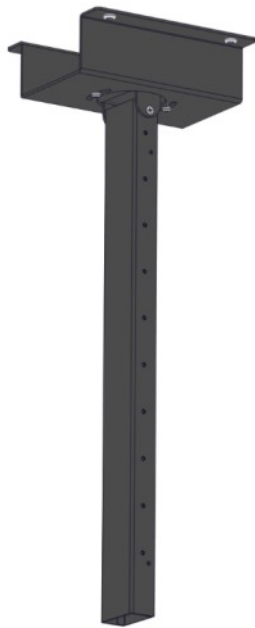
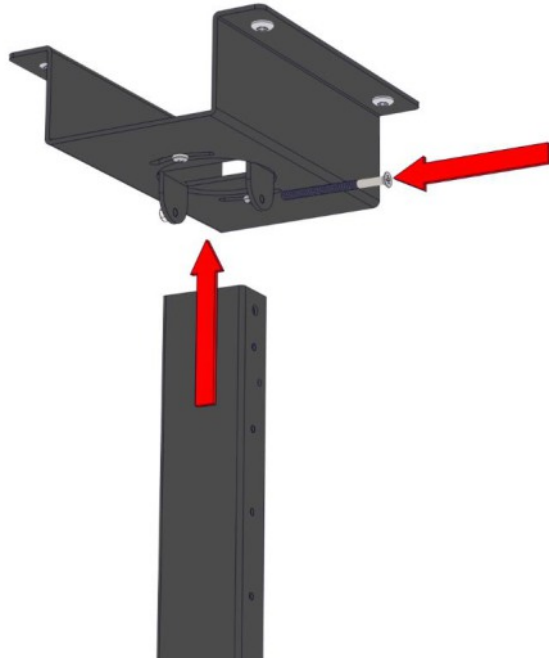


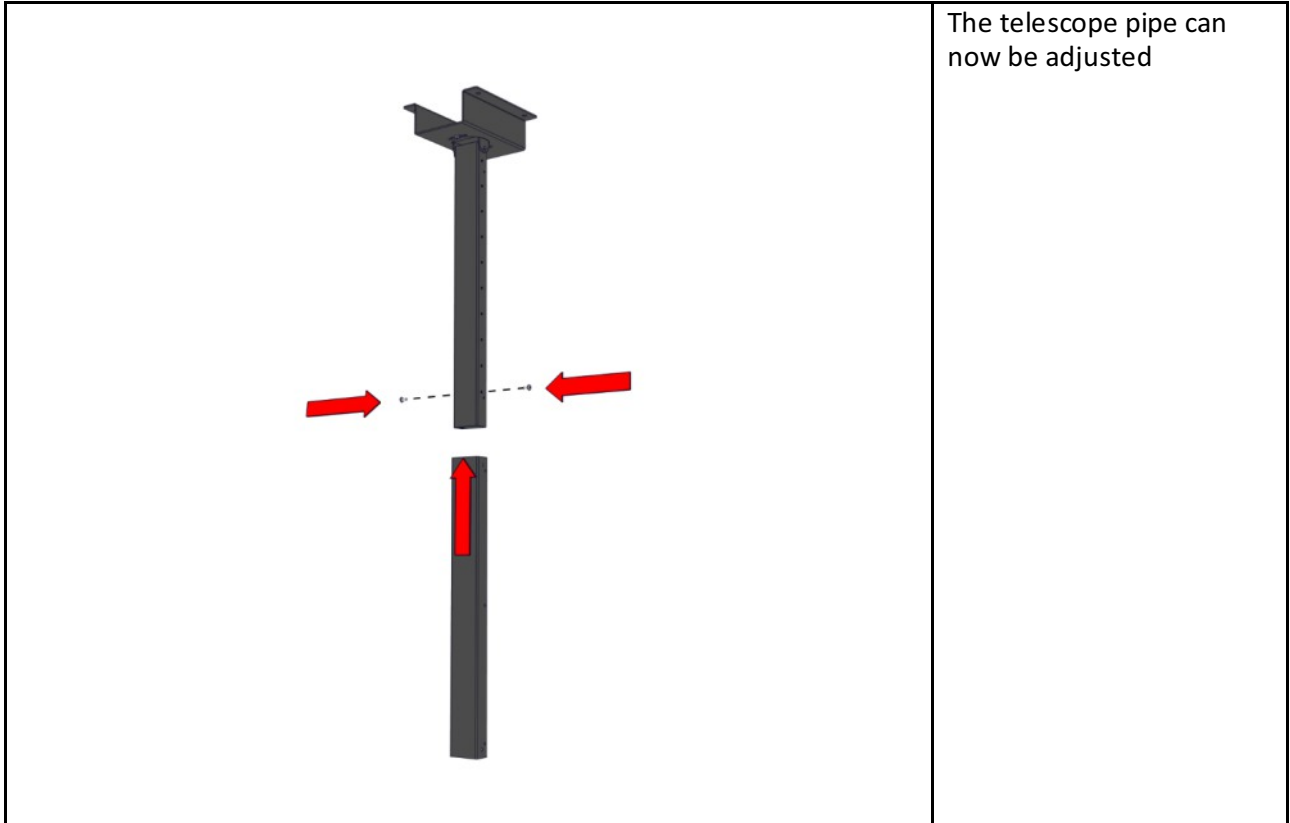
The telescope has a lock that can be opened for cable management



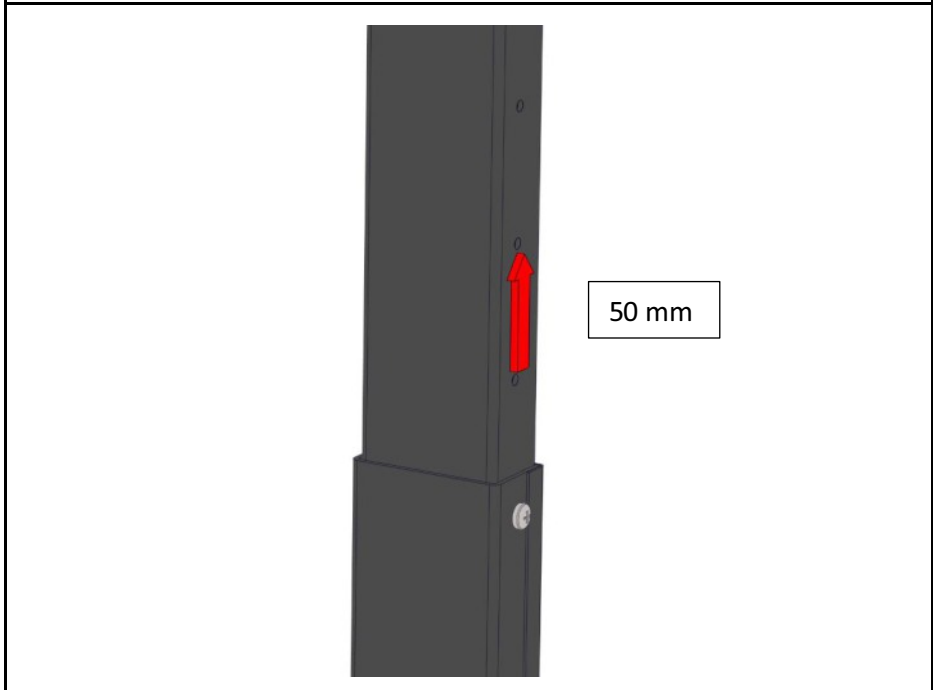


Connect the telescope pipe  
to the ceiling mount

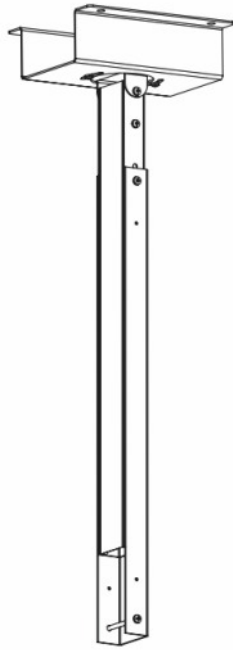




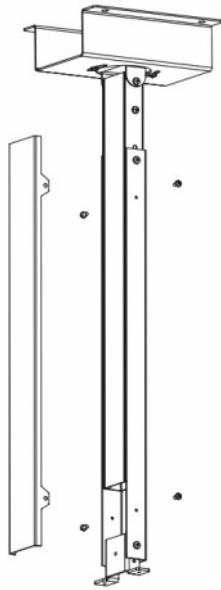
The telescope pipe can now be adjusted



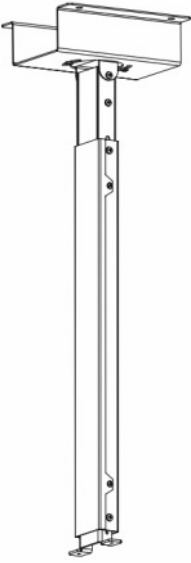
Adjustment steps of 50mm



Do not add add the bottom lock. Screw need to be visible to be able to add to the knob



Now hock the knob on the ceiling casing to the M5x80mm screw  
Now add the lock

	Finished
