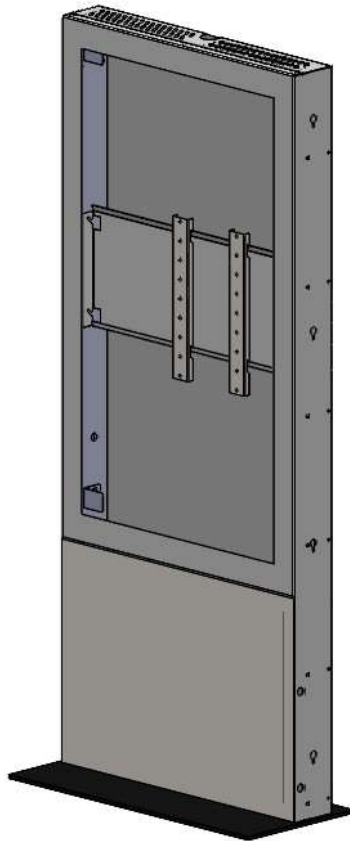


# INSTALLATION MANUAL



Part no: ST551T-02

**SE Installationsmanual**

**GB Installation manual**

MANUFACTURER

HI-ND Sweden AB  
Mekanikervägen 9A, 145 63 Tullinge  
Email: [info@hi-nd.se](mailto:info@hi-nd.se)

## IMPORTANT

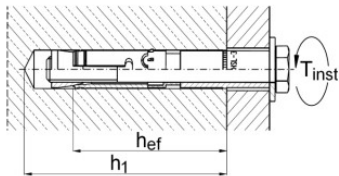
Local installation rules must be obtained. A correct mounting is important and it is not the responsibility of HI-ND Sweden AB. Faulty mounting may result in injury to persons. HI-ND will not be responsible if the product has been mounted incorrectly. Expander bolts are not included with the product. Properties and floor are specific for each case. Please make sure the floor is straight and clean. Glue e.g PL600 can be used between the ground and the bottom plate. Recommendation is to use below anchors

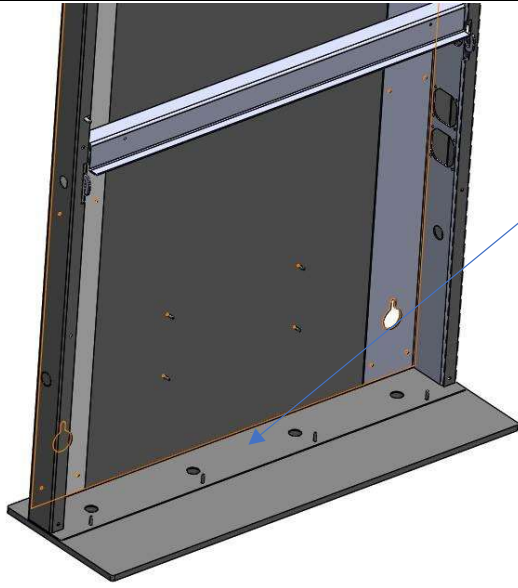
The Totem shall be fastened with 4 anchors in concrete. Follow below data for anchor type and torque

**h<sub>1</sub>: 7cm**

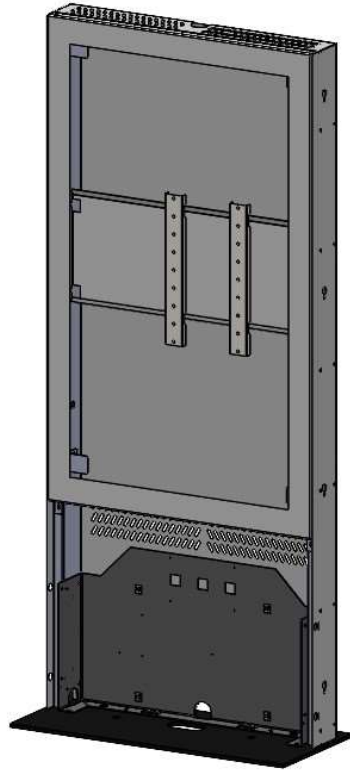
**Type: M10**

**T<sub>inst</sub>: 50NM**

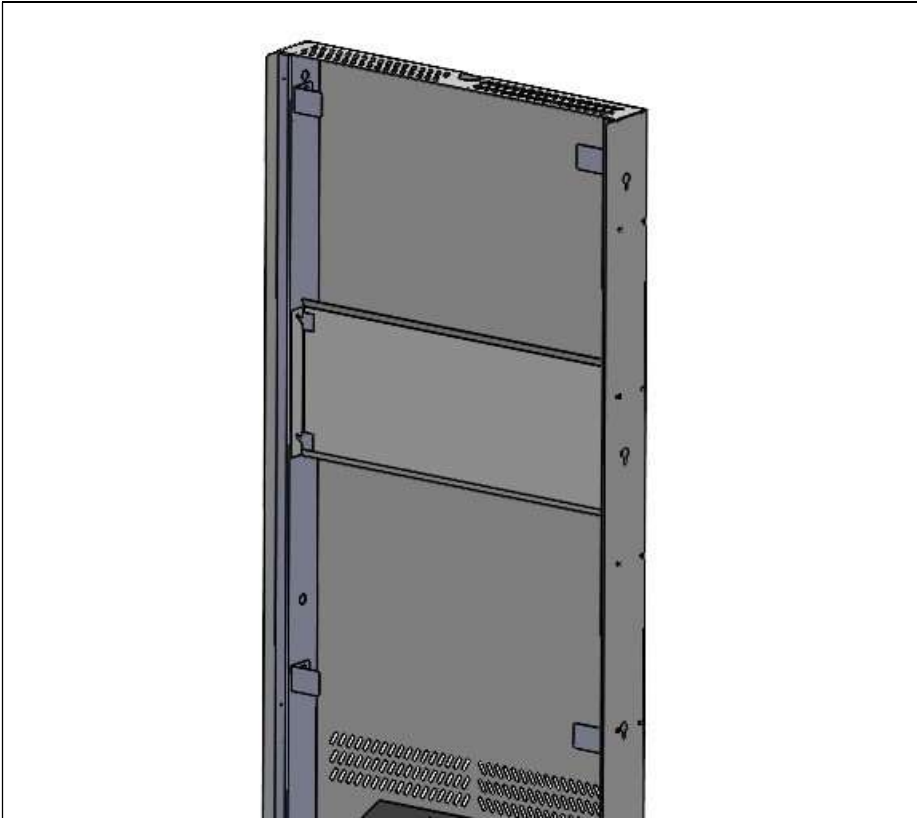




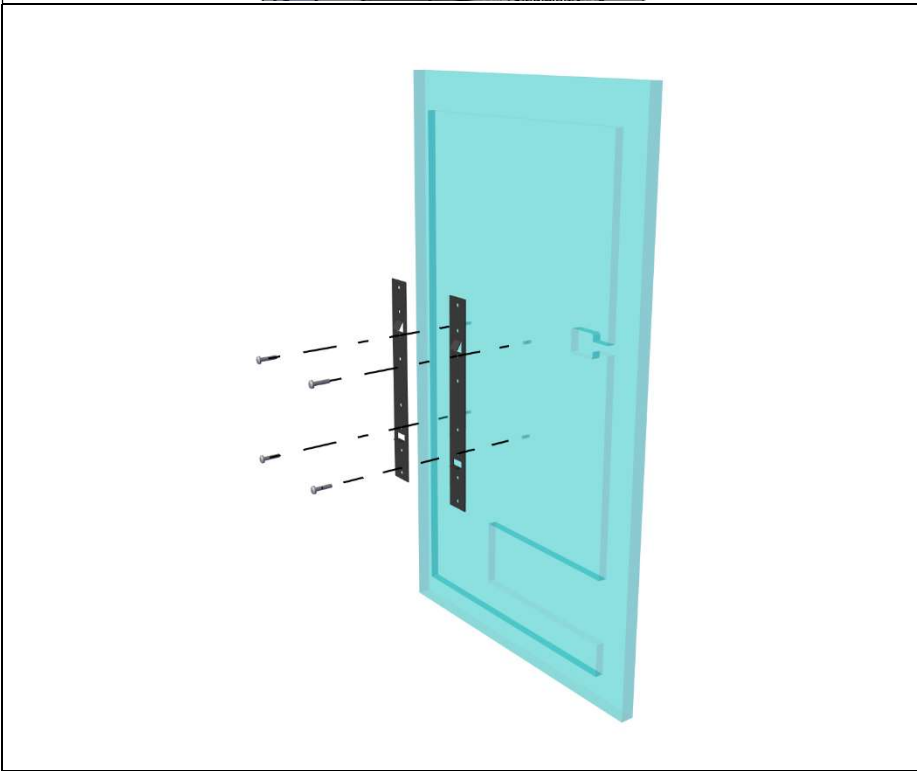
1. Use 4 pcs of 10mm anchors for the floor.



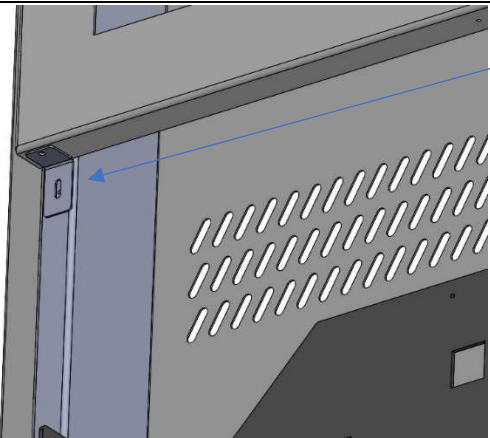
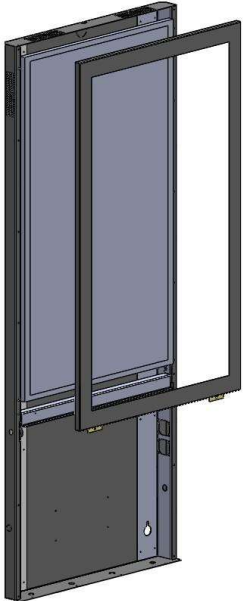
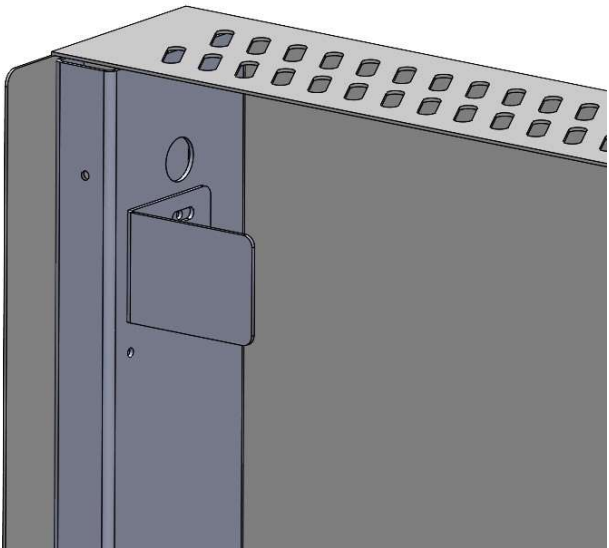
2. Disconnect the frontcover



3. Front cover disconnected

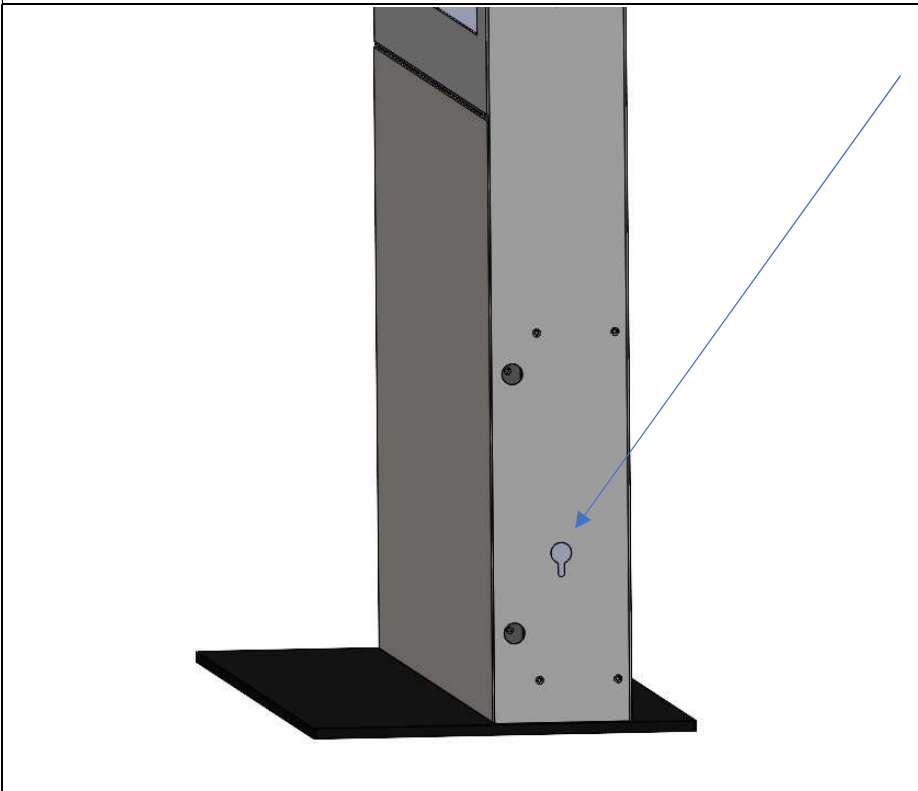


4. Connect VESA mount to the backside of the screen and attach the display to the totem

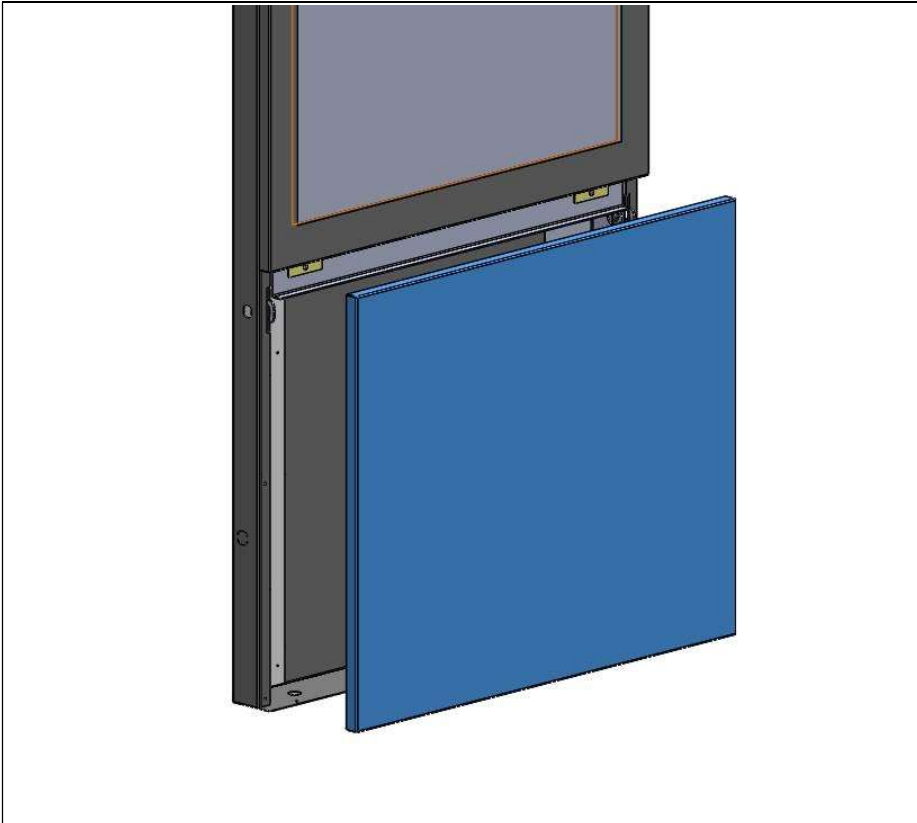
	<p>5. Attach the frontcover with a screw below</p>
	<p>6. Frontcover and screen attached</p>
	<p>7. Totem use angles in each corner for stability of the screen</p>



8. Sidecovers shall be attached to the sides



9. Sidecovers are attached to the keyholes



10. Computer can be placed in the bottom.



11. Finished