

# INSTALLATION MANUAL



Part no: OW5521

Description: Outdoor wall casing for LG

**SE Installationsmanual**

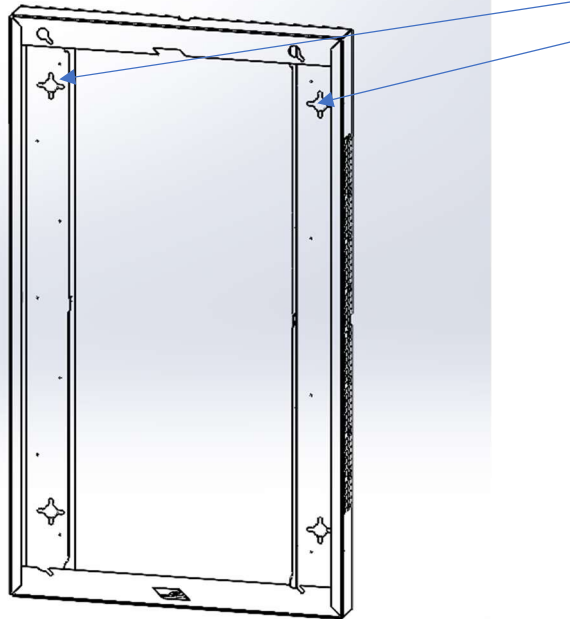
**GB Installation manual**

## MANUFACTURER

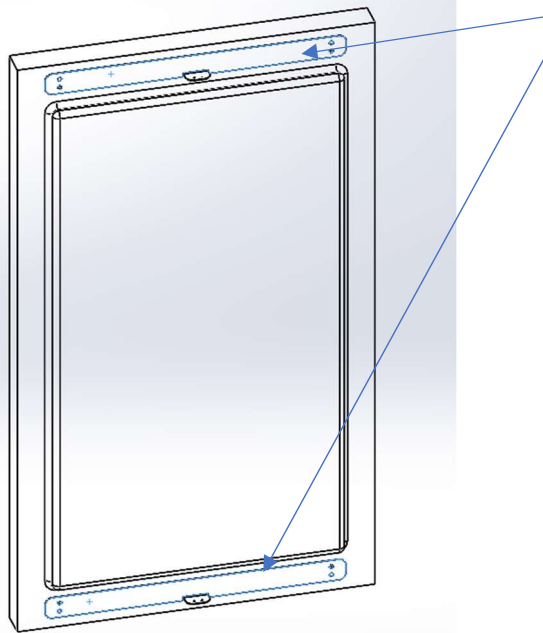
HI-ND Sweden AB  
Mekanikervägen 9A, 146 33 Tullinge  
Email: [info@hi-nd.se](mailto:info@hi-nd.se)

Two (2) persons are required during installation due to weight of the screen

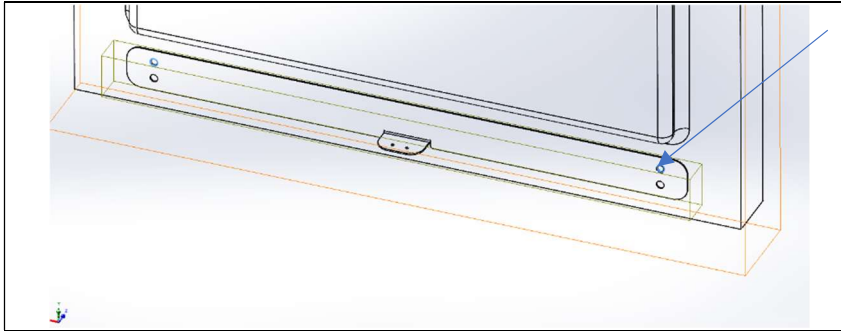
1.Number of persons



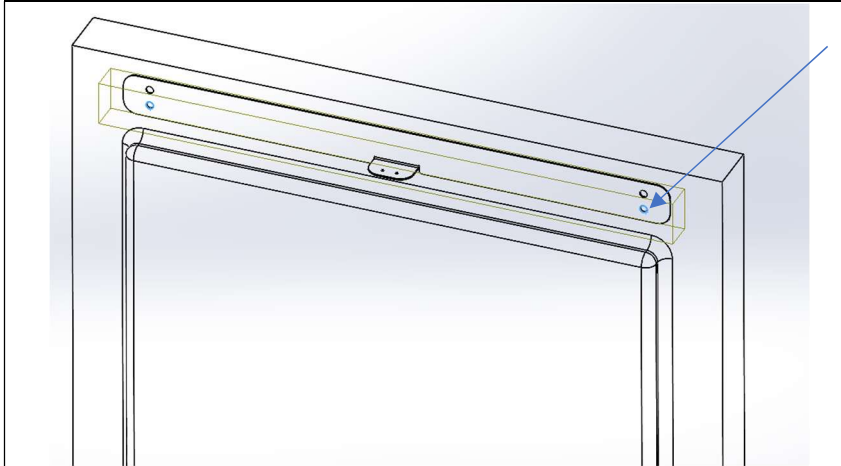
2.Attach the wall casing to the wall with screws. The product can be used in both landscape and portrait



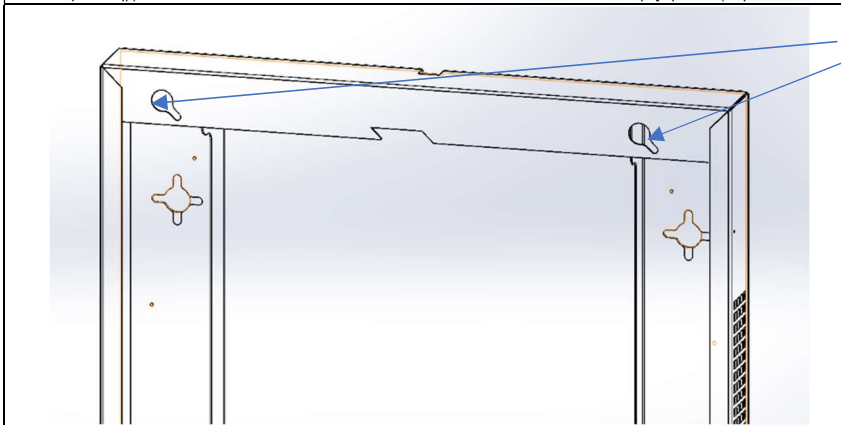
3.Attach VESA bars to the backside of the screen



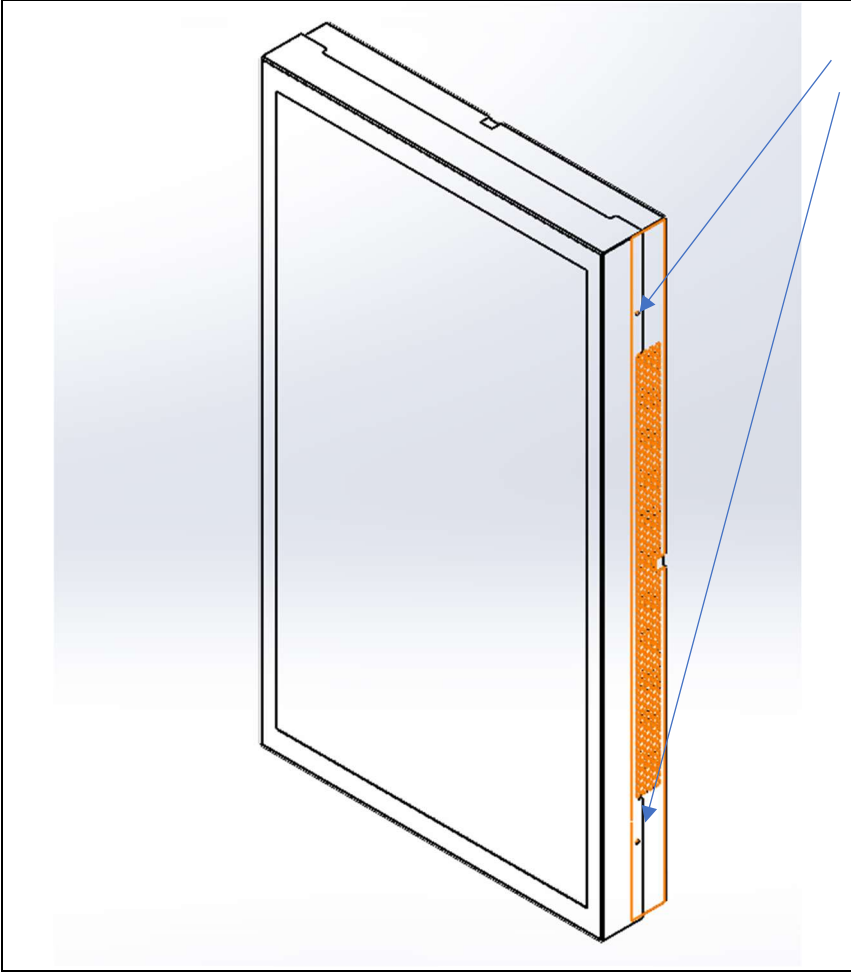
4. Connect the VESA bar on the bottom of the screen as the image to the left show



5. Connect the VESA bar on the top of the screen as the image to the left show



6. The screen can now be attached to the key holes on the backcover



7. Attach the frontcover with screws on each side of the wall casing