

INSTALLATION MANUAL



Part number: DT5511-5301

Description: Dual totem 55

MANUFACTURER

HI-ND Sweden AB
Mekanikervägen 9A, 146 33 Tullinge
Email: info@hi-nd.se

INSTRUCTIONS

Local installation rules must be obtained. A correct mounting is important and it is not the responsibility of HI-ND Sweden AB. Faulty mounting may result in injury to persons. HI-ND will not be responsible if the product has been mounted incorrectly. Anchor bolts are not included with the product. Properties and floor are specific for each case.

DATA

Height x width x depth:	2075x840x200mm
Weight:	190Kg
Mounting:	Indoor
Operating Humidity:	10% ~ 80%
Operating temp:	10 - 23 °C
Operating Humidity:	5% ~ 95%
Operating temp:	-5 to + 45 °C
Max Altitude:	2000m
Frequency:	50 / 60 Hz
Power supply in:	AC220-240V 2.0A

DISPLAY REQUIREMENTS

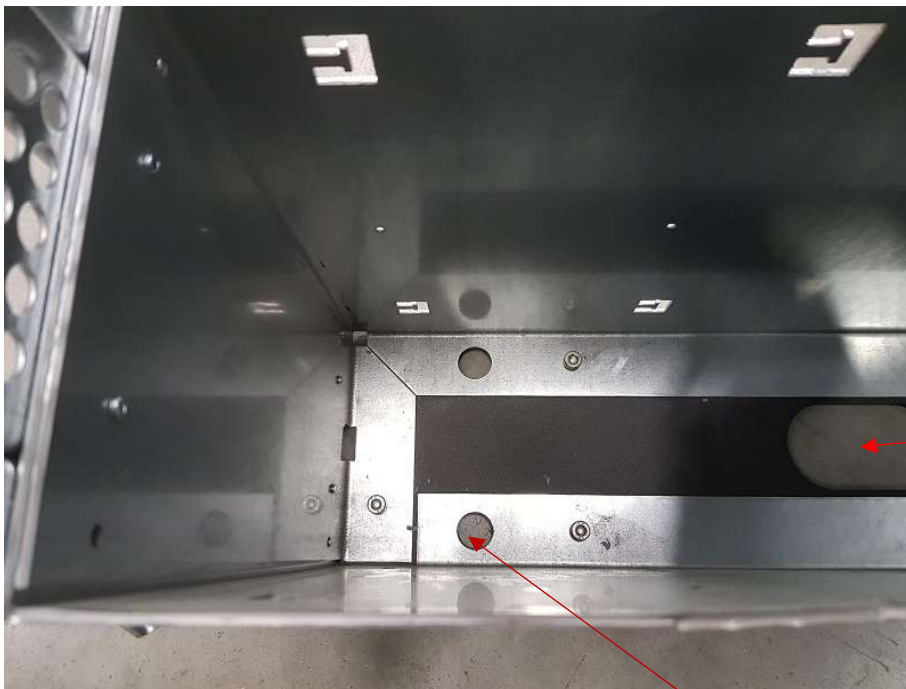
Number of displays:	2pcs
Display size:	55" diagonal
Max allowed power:	110Watt
Max Weight:	20Kg
VESA:	300x300, 400x400

POWER CABLE REQUIREMENTS TO DISPLAYS

Length:	Max 2m
Type:	Angled type

ASSEMBLY INSTRUCTIONS

NUMBER OF PERSONS REQUIRED: 2 persons



Power cable input

IMPORTANT

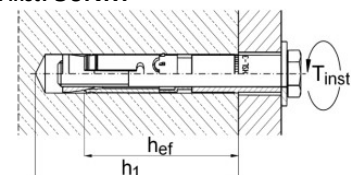
Please make sure the floor is straight and clean. Its recommended to also add glue between the bottom plate and floor

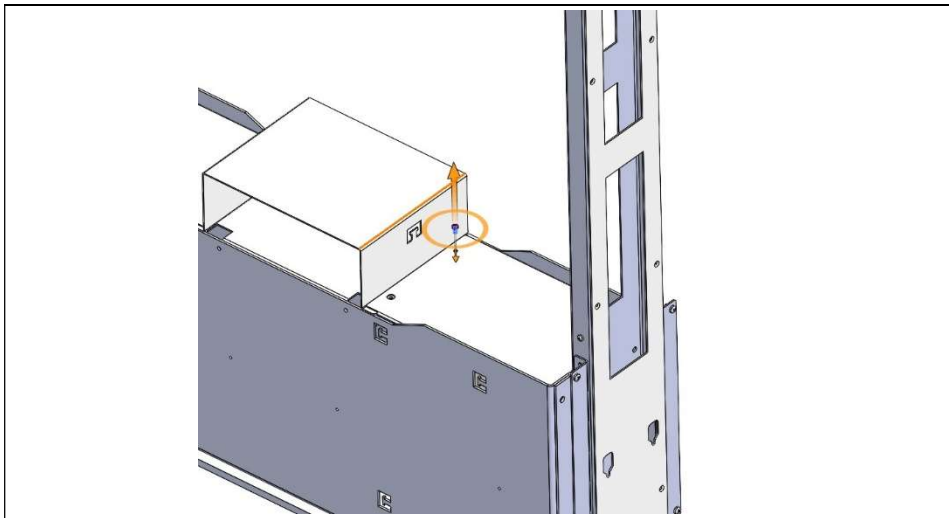
The Double Totem shall be fastened with 4 anchors in concrete. Follow below data for anchor type and torque

h1: 7cm

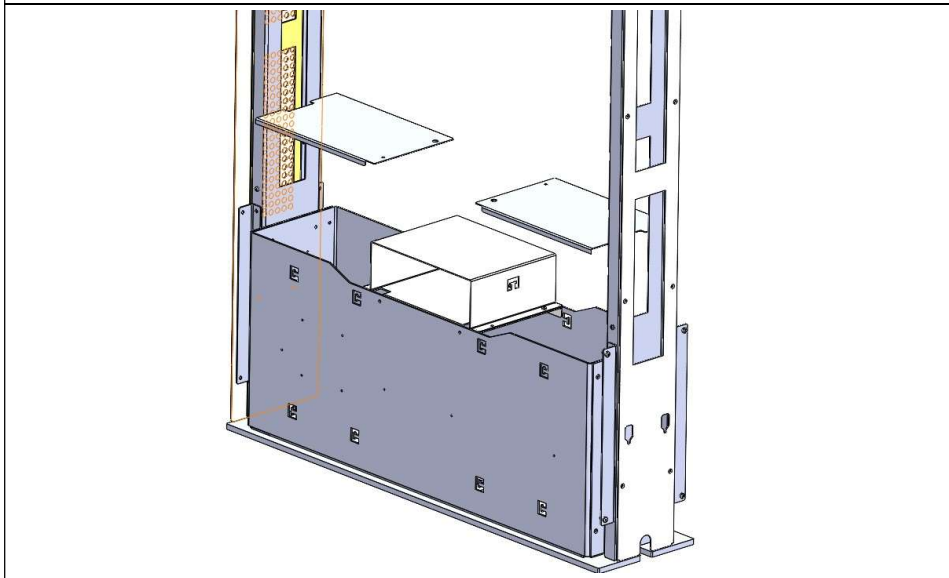
Type: M10

T_{inst}: 50NM





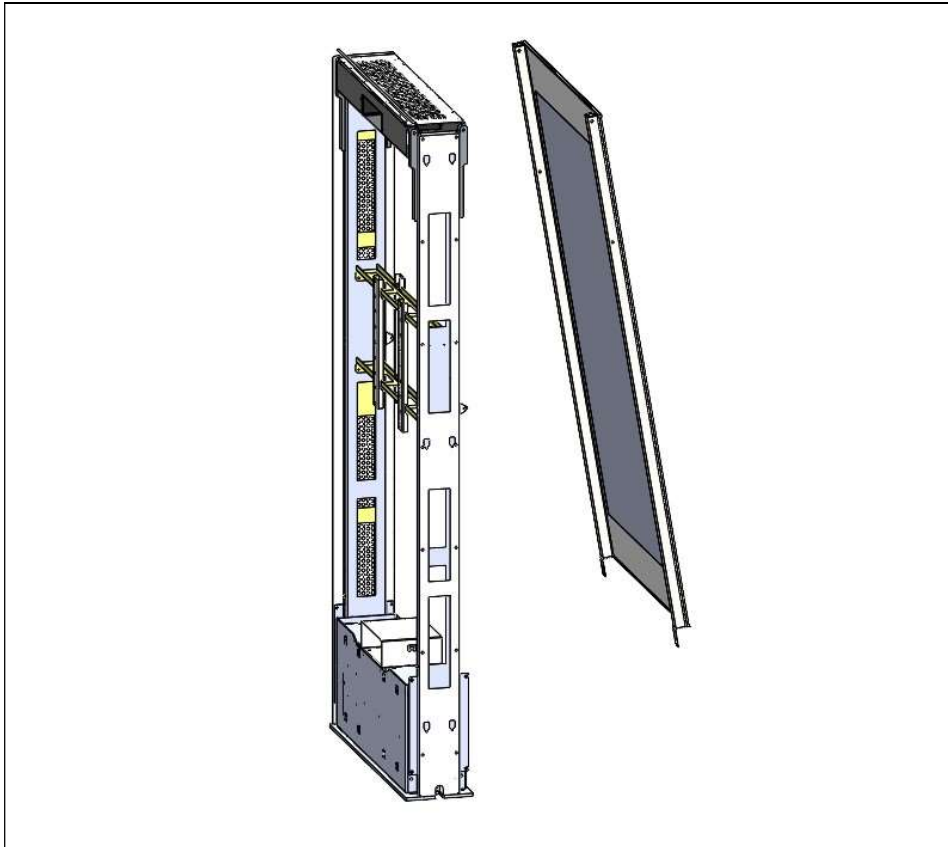
1 Remove the partition plate



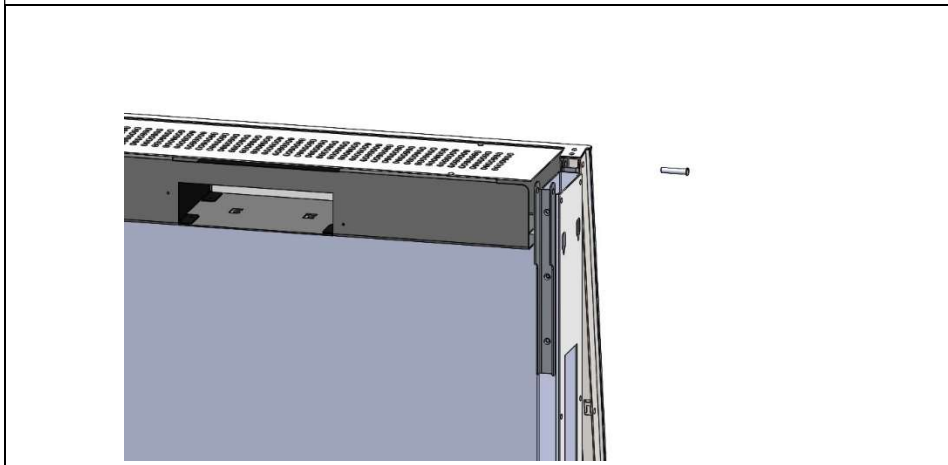
2 Partition plates removed. Computers can be placed inside the bottom partition



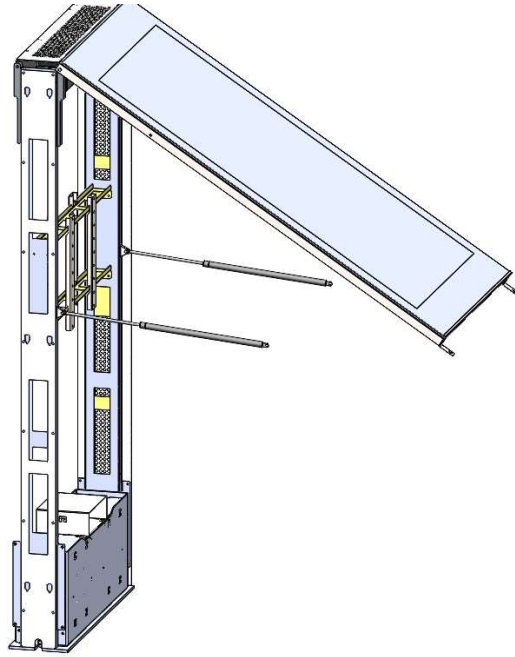
3 Use anchors in all four corners



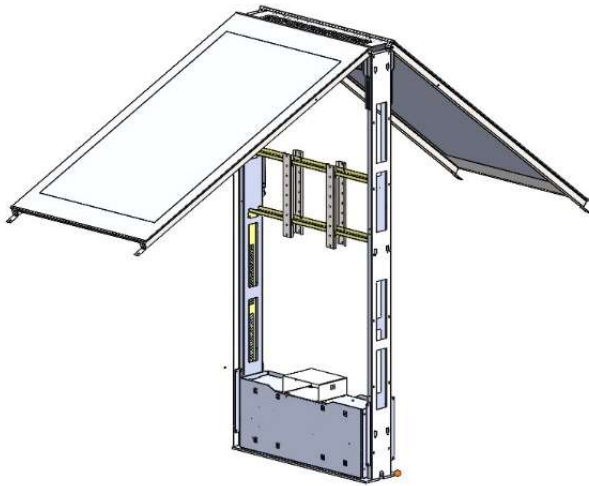
4 Unpack and prepare to attach the glass



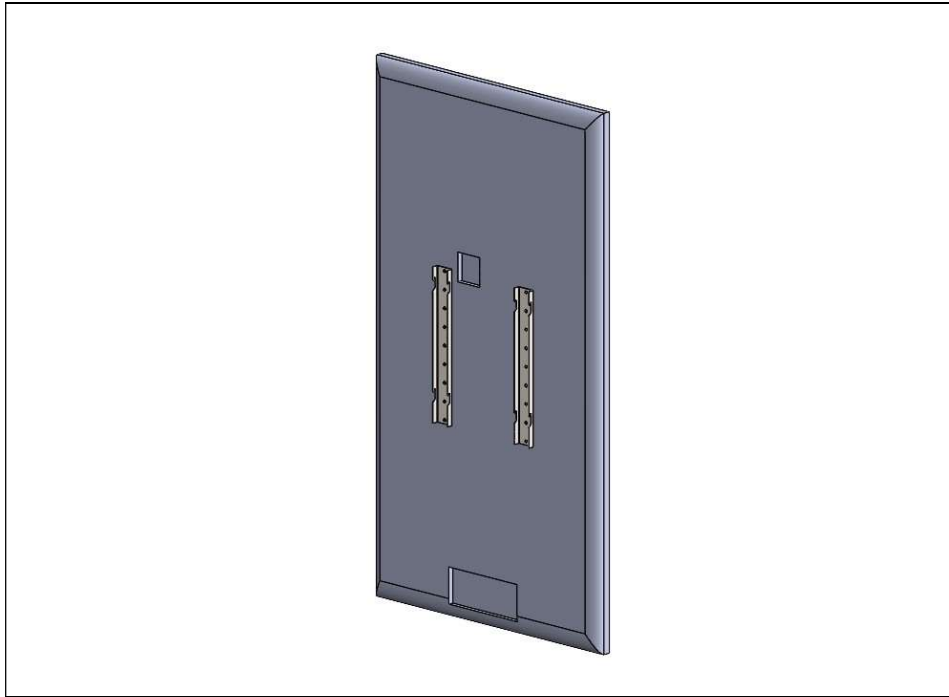
5 Use the cylindrical rod, included, to hang the glass. Lock the rod with the aluminium stick, included.



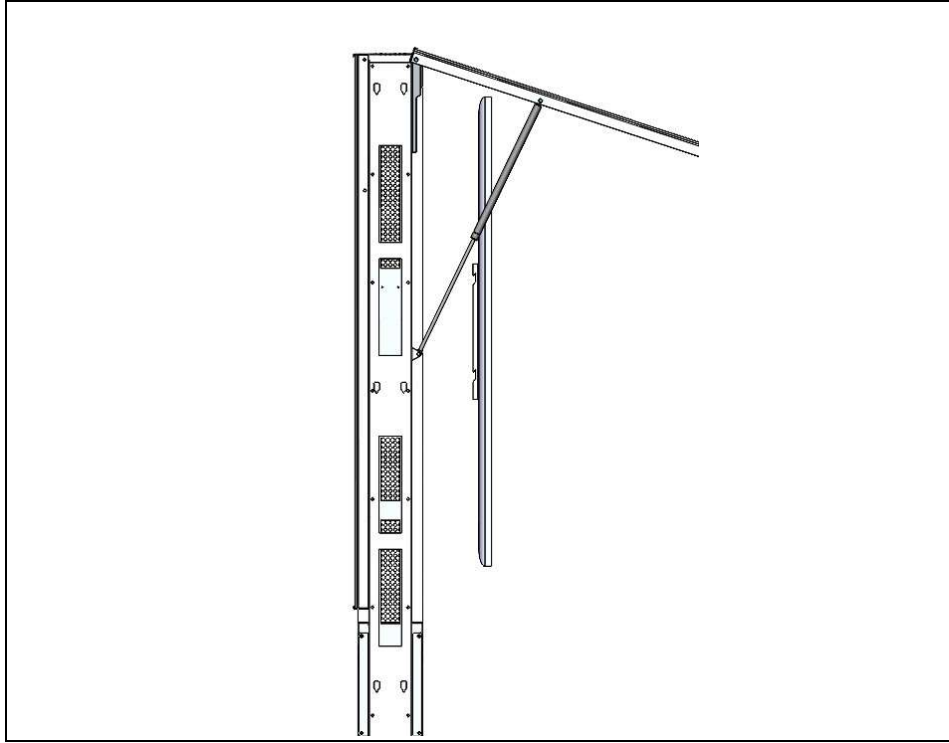
6 Gas springs are mounted to the totem.



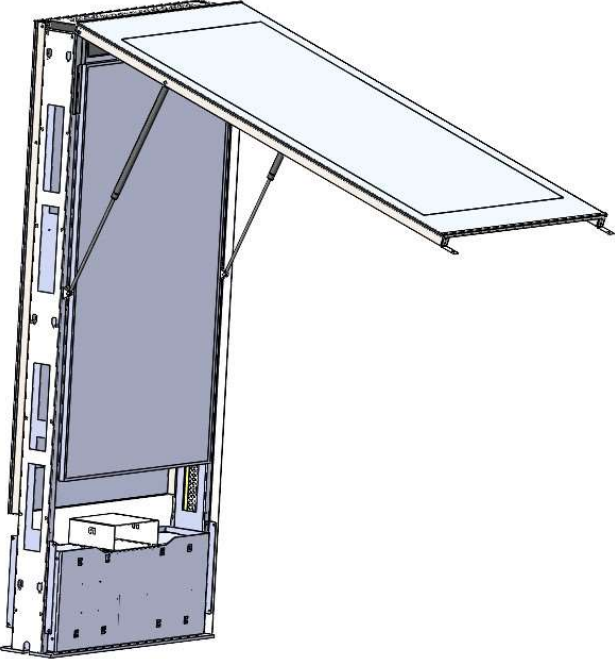
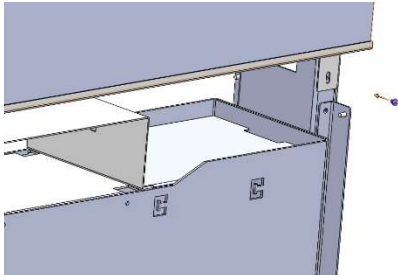
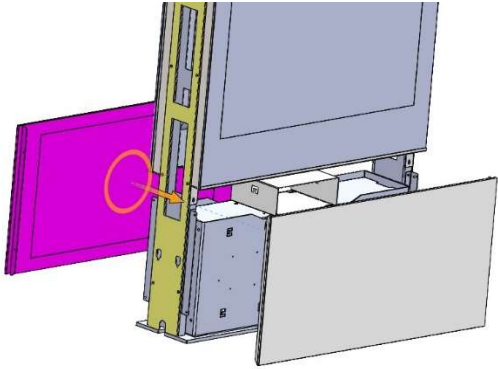
7 Connect gas springs to the glass

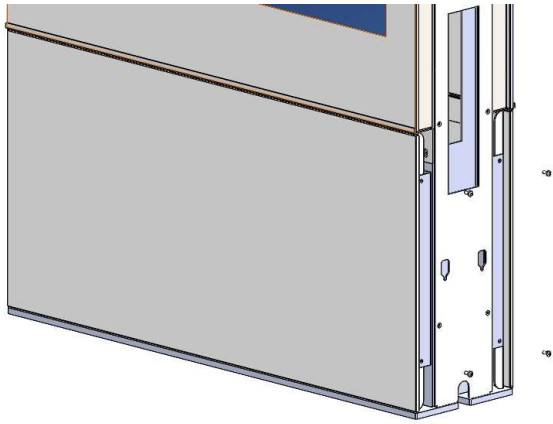


8 Attach VESA mounts to the back of the screen



9 Attach screen to the totem

	<p>10 Screen attach in the totem</p>
	<p>11 Use M5 screw, included, to lock the glass</p>
	<p>12 Bottom hatch can now be attached</p>



13 Lock the bottom hatch with M4 screws, included, on each side of the totem



14 Attach sidecover on each side of the totem



15 Finished