

INSTALLATION MANUAL



Part no: OD5517-5301-02

Description: Outdoor totem for Samsung OH55A-S

SE Installationsmanual

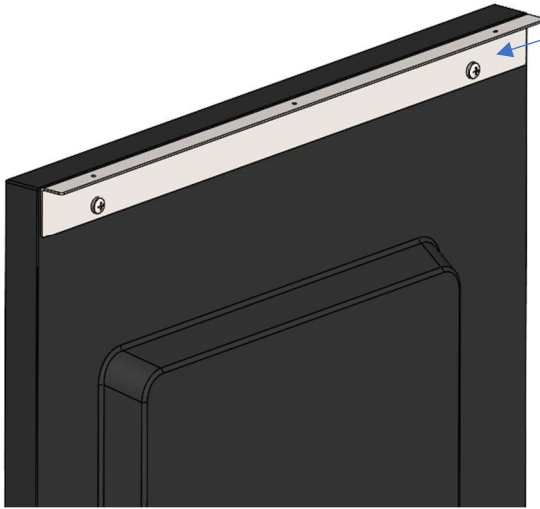
GB Installation manual

MANUFACTURER

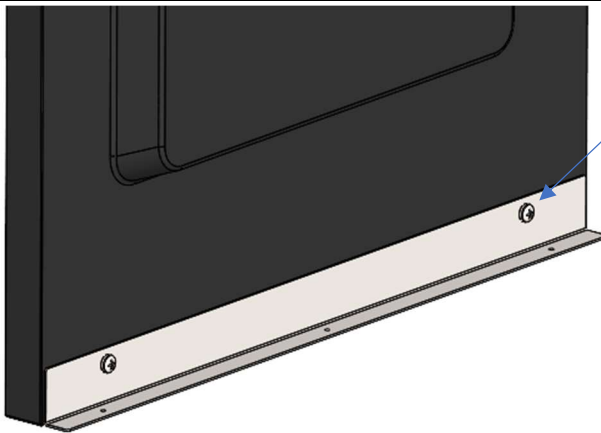
HI-ND Sweden AB
Mekanikervägen 9A, 146 33 Tullinge
Email: info@hi-nd.se



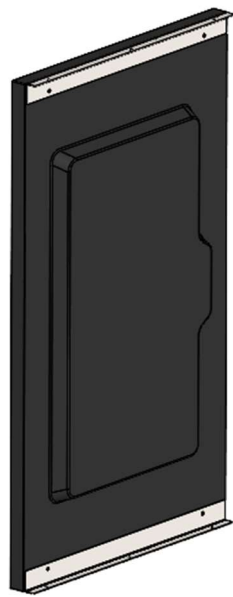
1. Number of persons two (2)



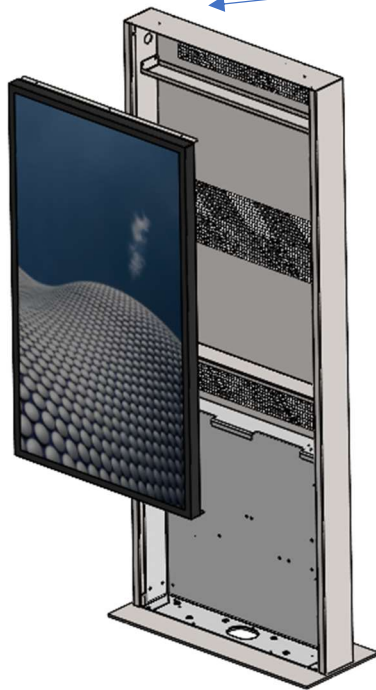
2. Attach the top metal list to the screen with two (2) M8 screws included in the package



3. Attach the second metal list to the screen with two (2) M8 screws included in the package



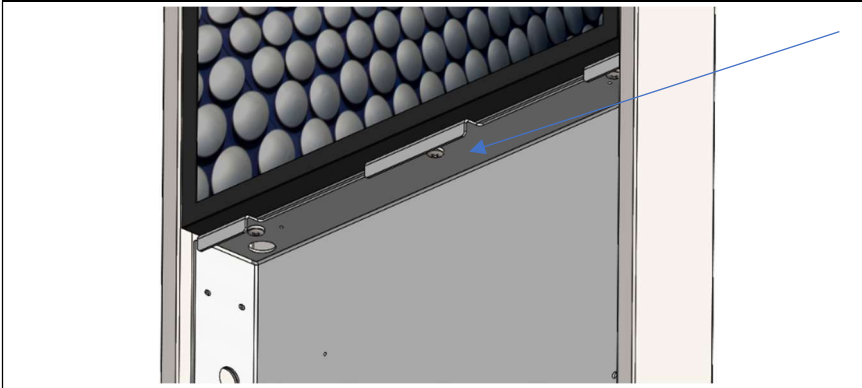
4. Metal list attached to the top and bottom of the screen.



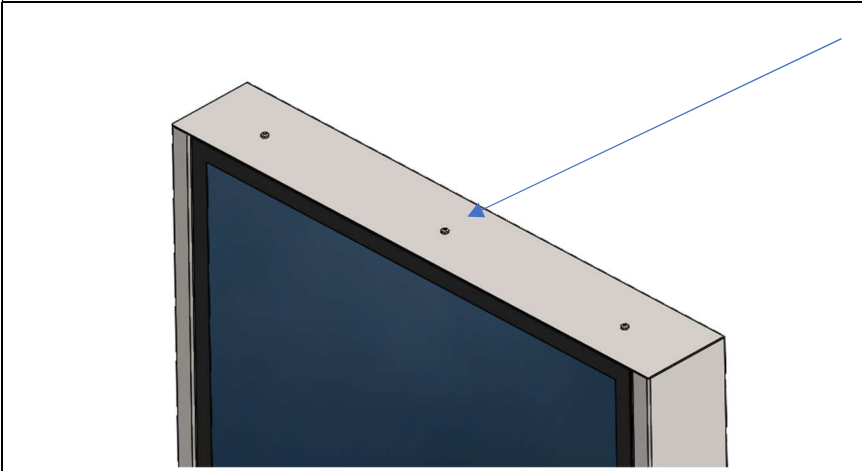
5. Attach the screen to the totem. Two (2) persons needed



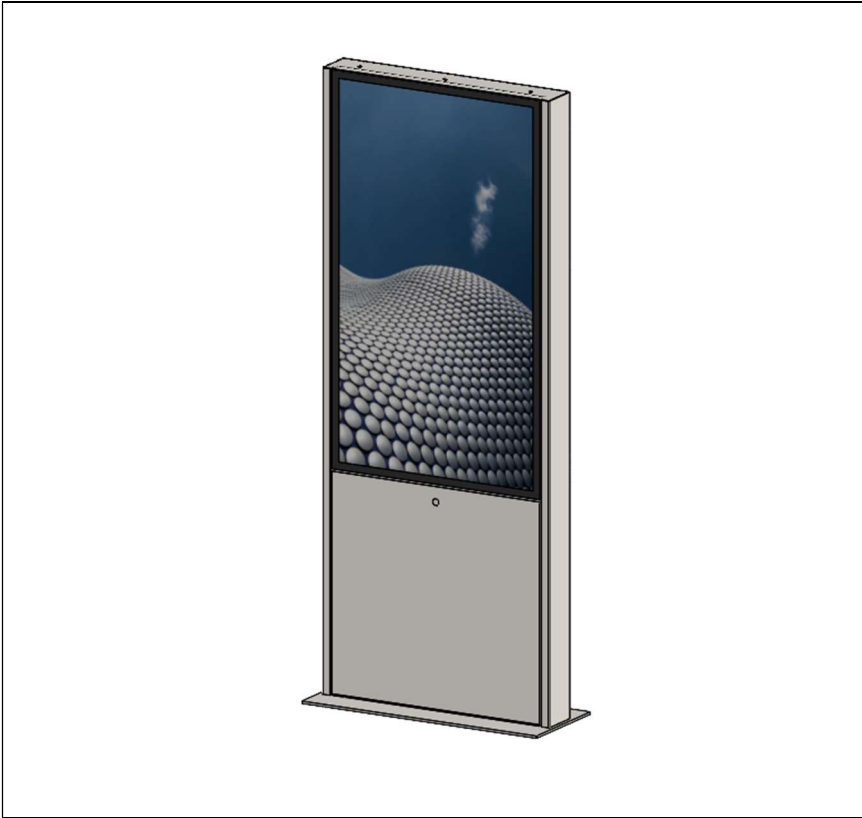
6. Screen attached



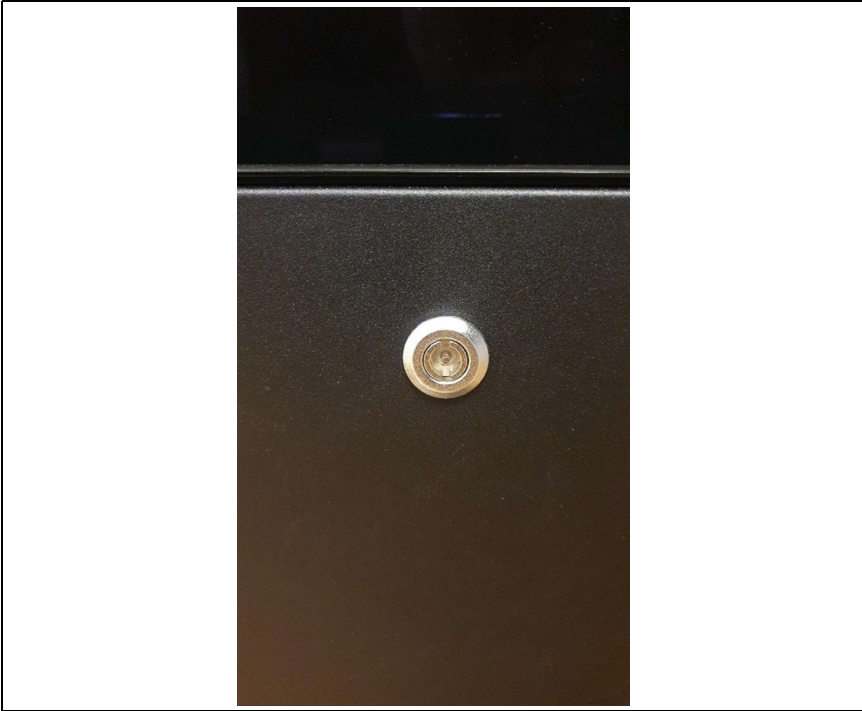
7. Now use M6 screws to tighten the metal list to the totem



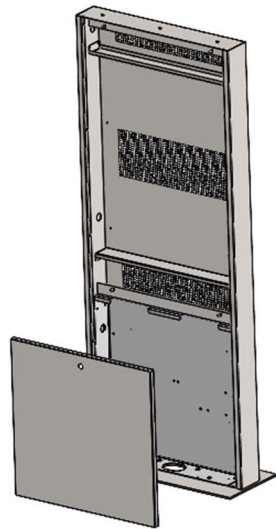
8. Use M6 screws to tighten the metal list to the top of the totem



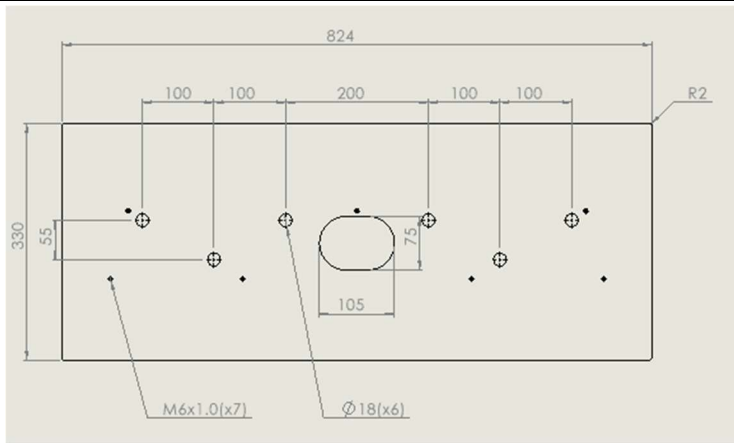
9. Screen is now attached



10. The bottom hatch is opened with a key. Included in the shipment



11. An IP classified box for external computer and router can be placed inside the totem



12. Image of bottom plate. Inlet for power and network cable in the middle hole (75mm x 105mm)



Finished!