

INSTALLATION MANUAL



Part no: FT3215-0101-02

SE Installationsmanual

GB Installation manual

MANUFACTURER

HI-ND Sweden AB
Mekanikervägen 9A, 145 63 Tullinge
Email: info@hi-nd.se



1. Remove the backplate below the display



2. Attach the screen to the VESA mount. Use M8 screws to fastened the display

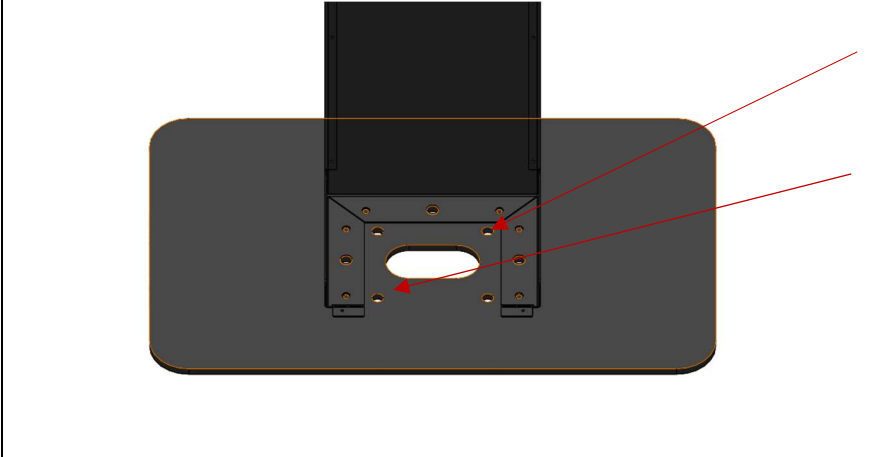
The Display and casing can be placed in both landscape and portrait mode



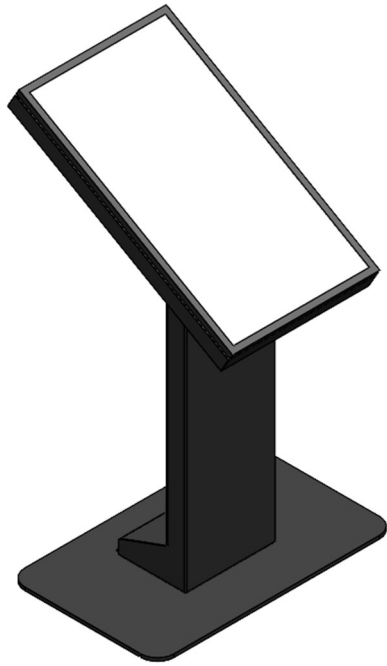
3.Remove the backcover on the pillar



4. The bottom plate can also be detached for cable management



5. The floorstand use a heavy foot plate for stability. It can also be drilled to the floor but its not necessary



6. Floorstand is now ready