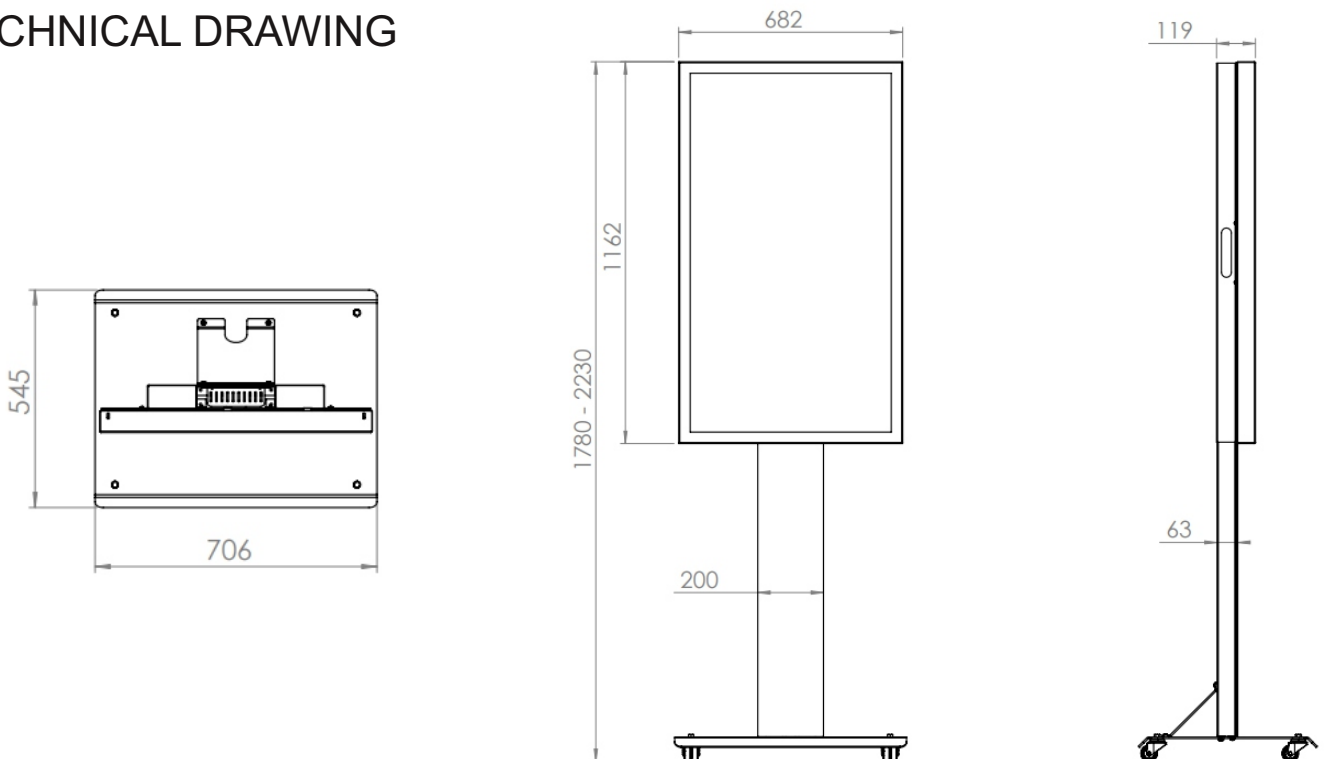


Our floorstand glass casing has been designed to offer different casing options. We use a printed glass on the pillar below the display. This feature gives an exclusive feeling. Perfect in public spaces and store windows. Only portrait mode available.



### TECHNICAL DRAWING



# SPECIFICATION

---

## Features

---

- Printed glass as pillarfront below display
- Protection glass as option
- Available in Black or White
- Shelf inside the pillar for external computer

## Material options

---

- Powder coated metal

## Powder coating options

---

- Black, RAL 9005str
- White, RAL 9003str
- Custom color upon request

## Part number & Description

---

- |                  |                                     |
|------------------|-------------------------------------|
| • FS5012-5001-01 | Floorstand Glass with Casing, White |
|------------------|-------------------------------------|