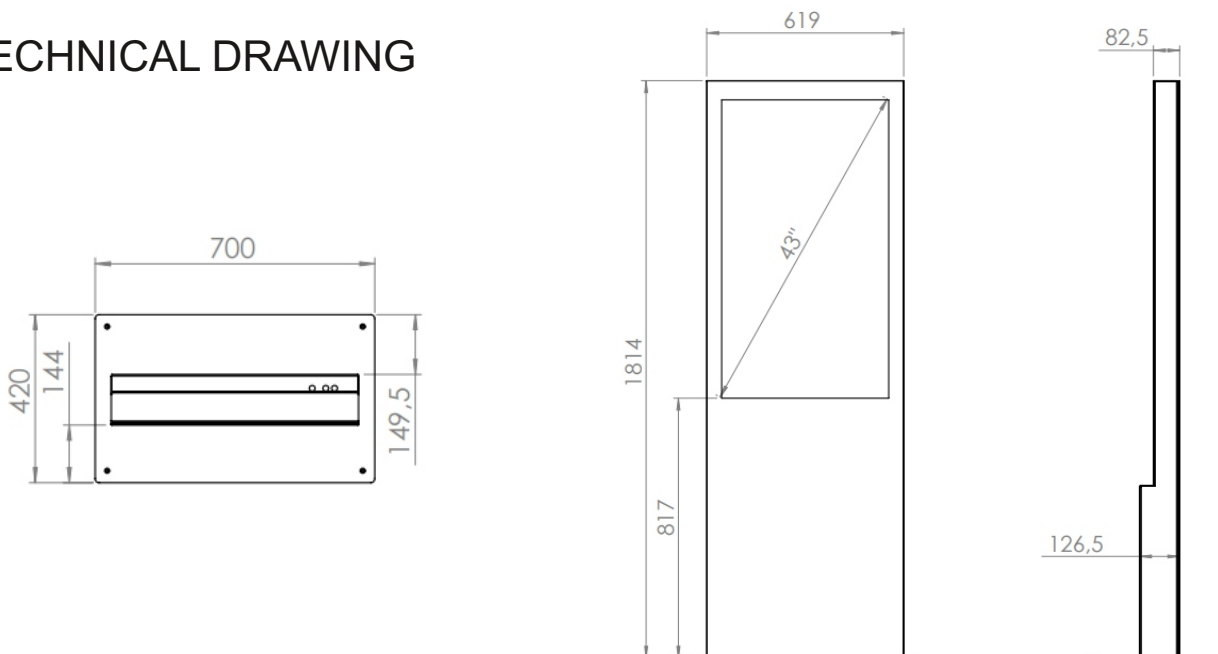


Mini totem is our latest serie of indoor products. Its available in size 24, 32, 43 and 50". The totem products are delivered with printed hard coated plexi protection. Printed logo can be added. Access of the screen is from the backside. The product is designed to be easy to move to new locations inside the store. Therefor, we designed specific space for an external router



TECHNICAL DRAWING



SPECIFICATION

Features

- Display Size: 24", 32", 43", 50"
- Hard coated Plexi with digital print
- Space for Router
- Black and White as standard
- Other colors on request

Material options

- Powder coated metal

Powder coating colors

- Black, RAL 9005str
- White, RAL 9003str
- Custom color upon request

Part number & Description

- FS4311-5001-02 Mini Single Totem, 5mm hardcoated plexi, Black