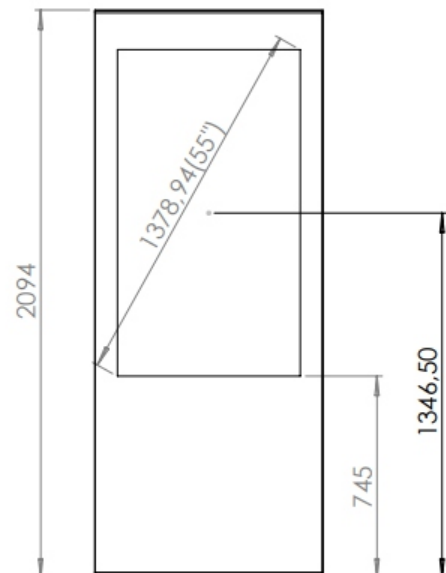
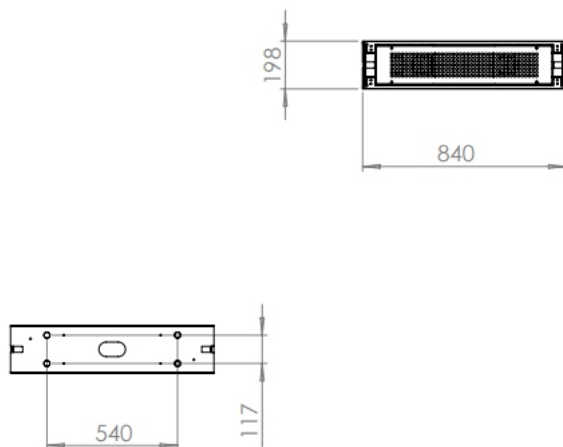


Our latest indoor double-sided totem. Designed for advertising in shopping malls. The totem can be customized to reflect the customer's brand image with printed logo on the glass. The front access door has a wooden decor but can also be equipped with different materials.



TECHNICAL DRAWING



SPECIFICATION

Features

- Front access door with Wooded decor
- Designed for monitors from LG and Samsung
- Access of displays from the front
- Space for external computer and router inside

Material options

- Powder coated metal

Powder coating colors

- Specified for each order

Part number & Description

- DT5511-5301 Dual Totem, Double sided, Portrait, 55"