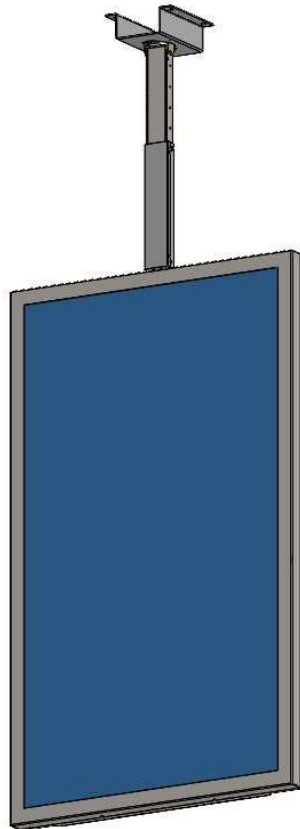


# INSTALLATION MANUAL











Product nr: CC3200-5001

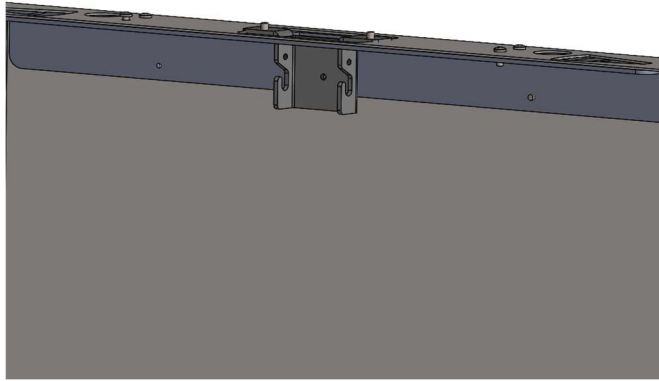
CC4300-5001

CC5012-5001

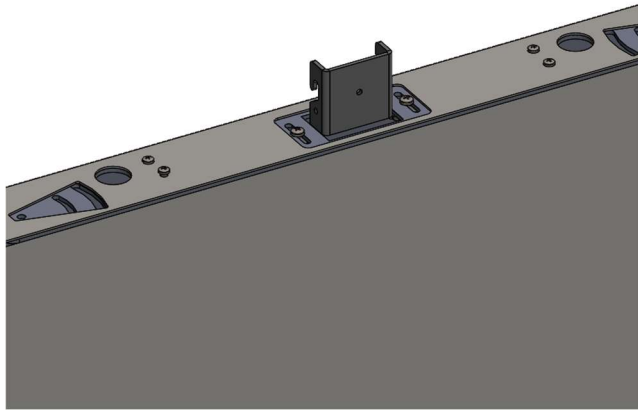
CC5500-5001

CC6500-5001

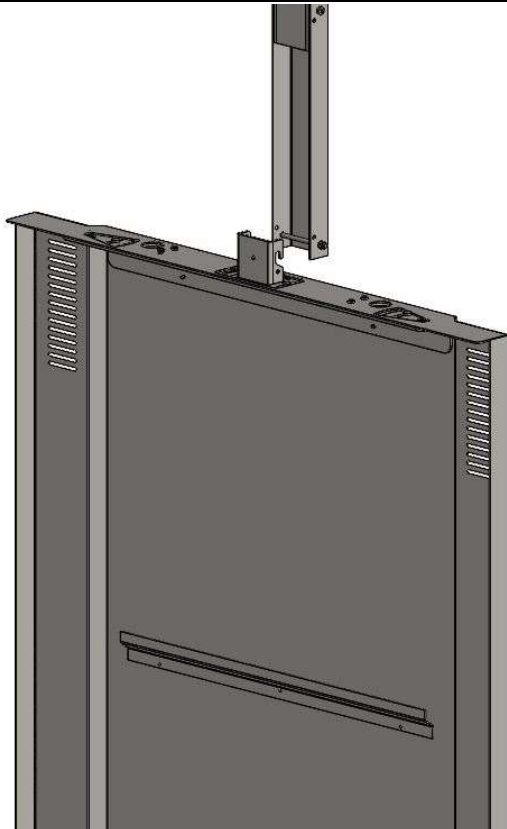
Samsung (43, 50, 55,65) S1 M8x35 (4x)	LG (43, 55) S2 M6x20 (4x)
	
	
	
	



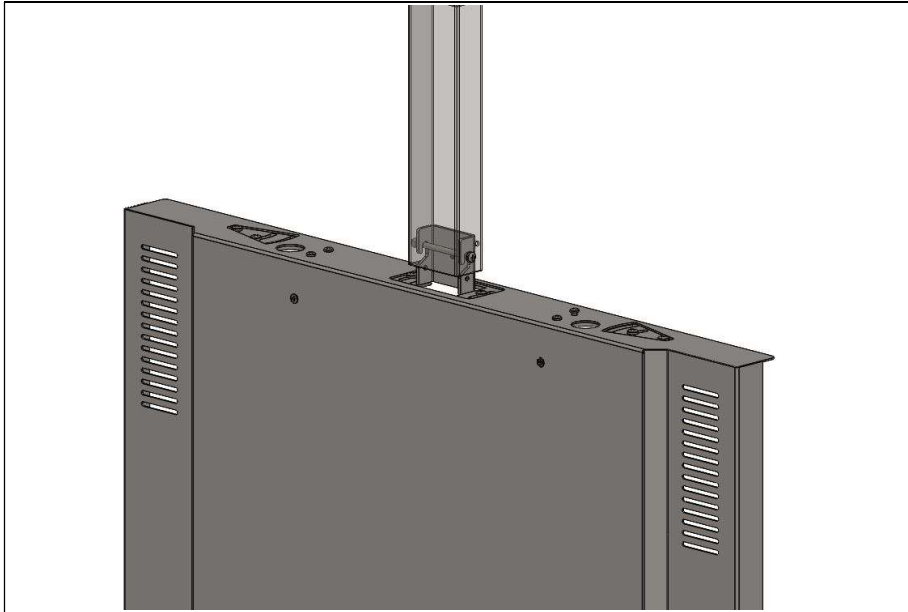
1. Unscrew the ceiling mount knob located inside the housing



2. Screw the knob as the image to the left



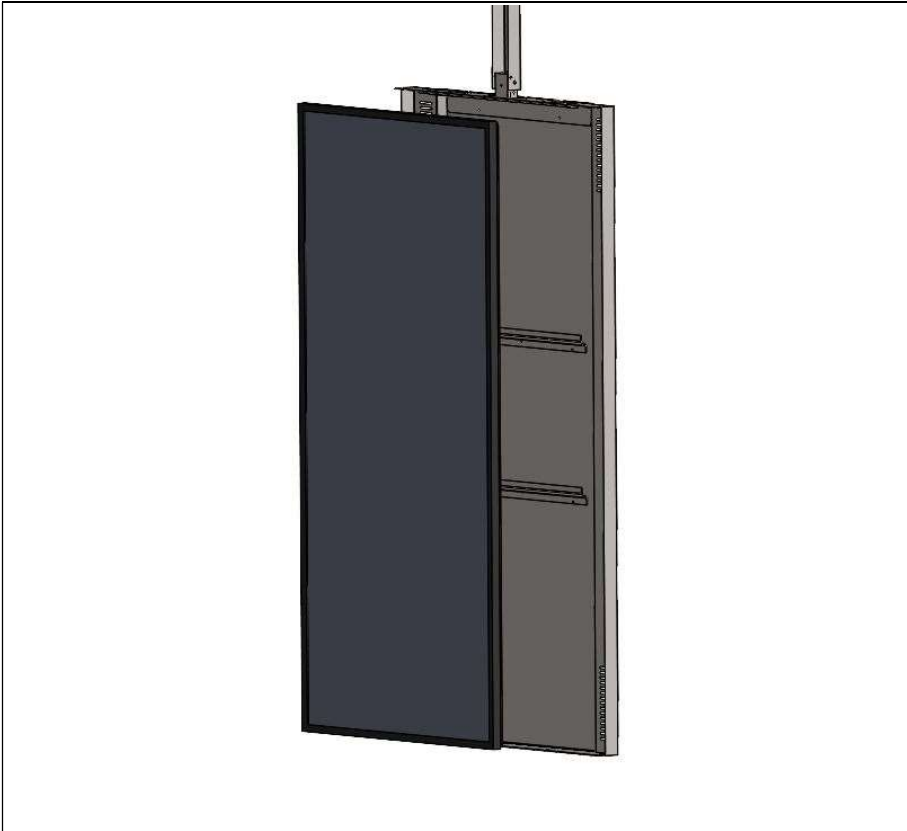
3. Attach the backcover to the ceiling mount



4.Backcover attached to the ceiling mount



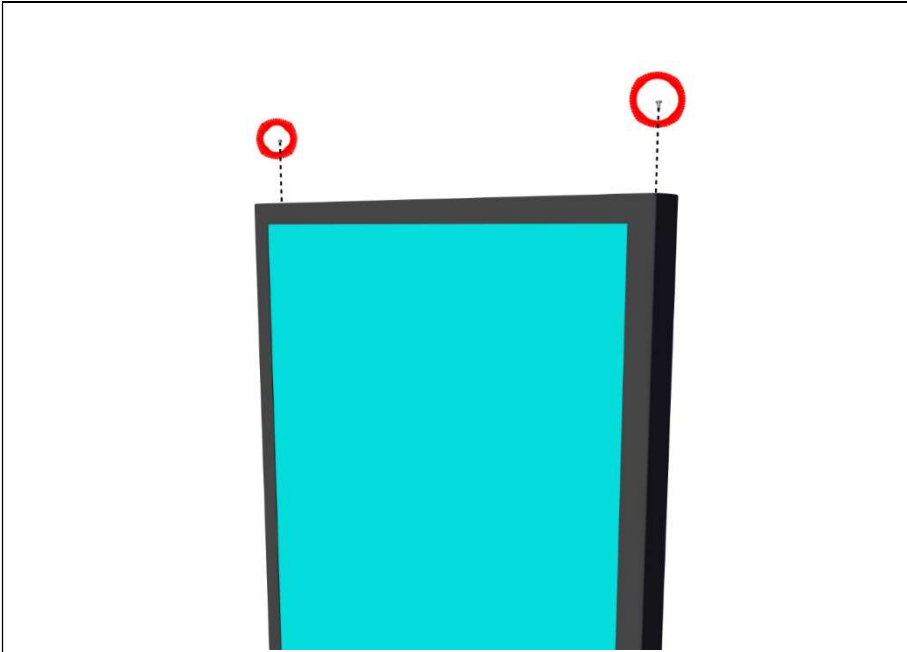
5.Attach VESA mounts to the display backside



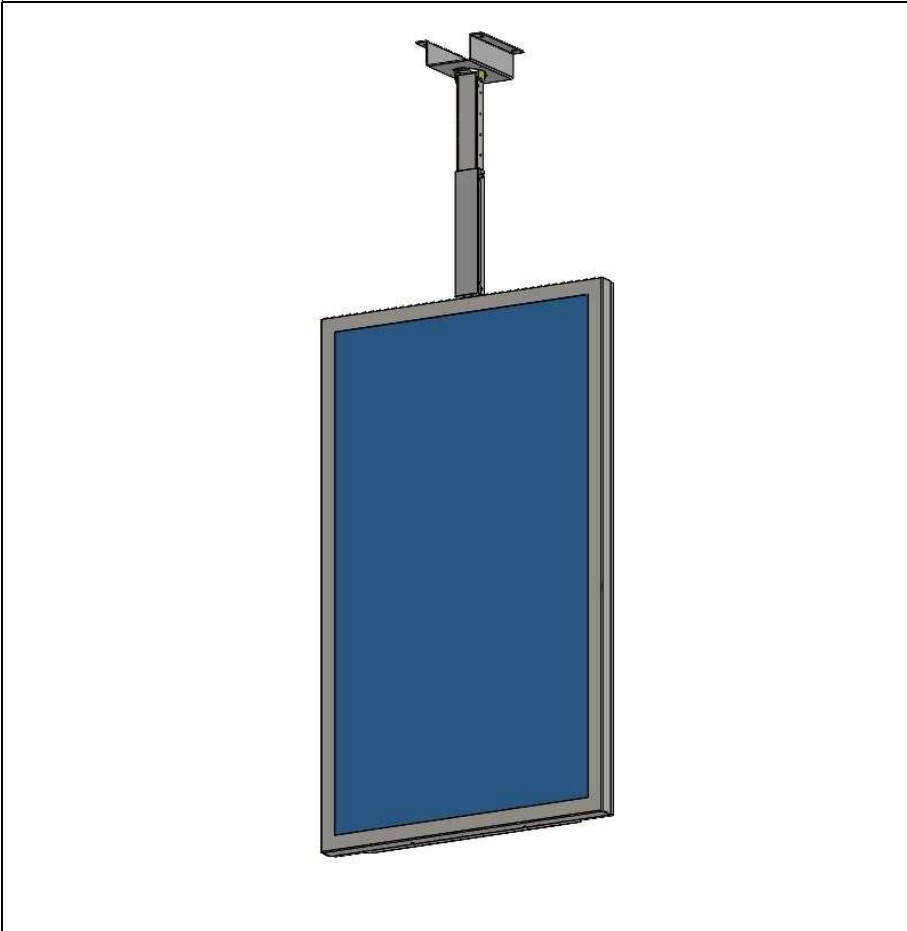
6. Attach the display to the backcover



7. Display attached



8. Attach the frontcover with M4 screws



9. Finished