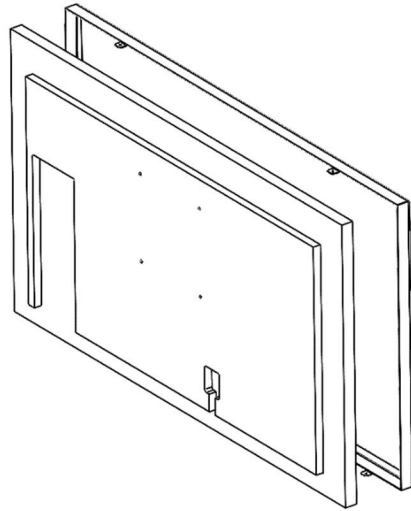


# INSTALLATION MANUAL

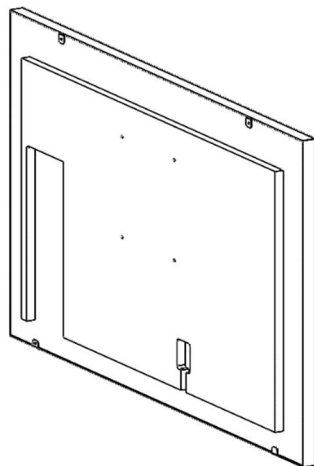


Description: General manual for all frontcover products

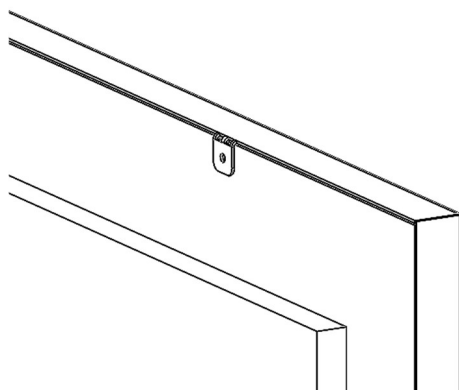
# ASSEMBLY INSTRUCTIONS



1. Attach the frame to the screen



2. Front cover attached to the screen



3. Bend the metal clip to the backside of the LCD screen