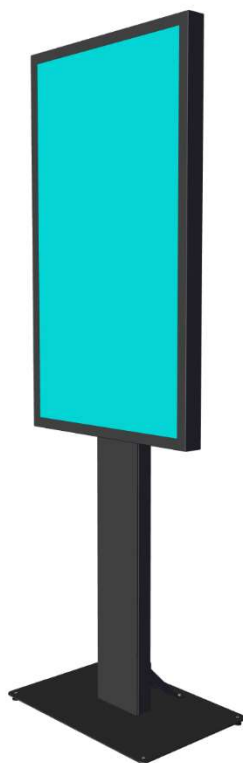
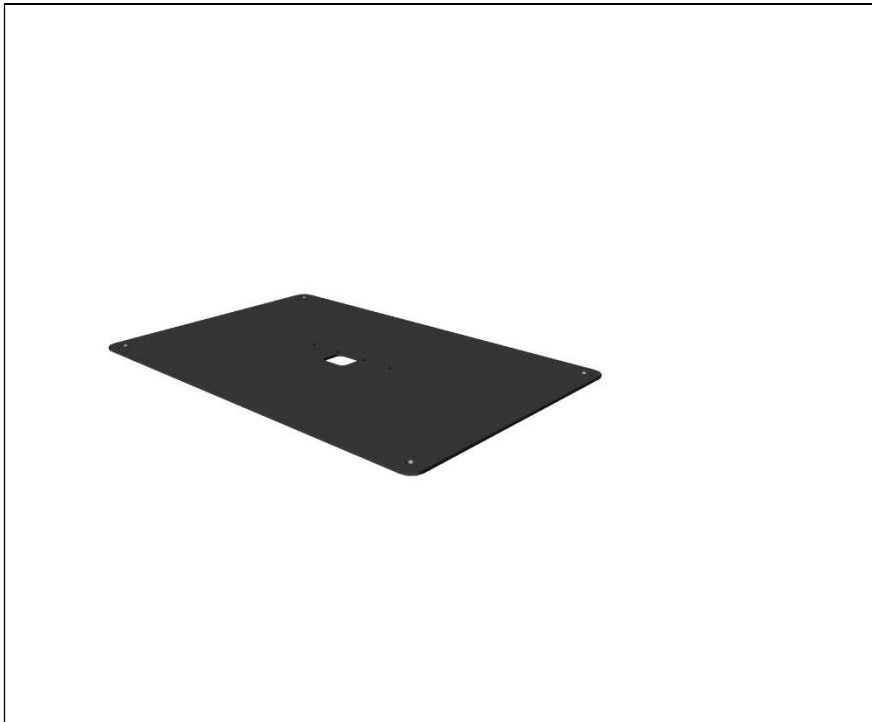


# INSTALLATION MANUAL



Product nr: FS0000-5001-01

FS0000-5001-02



1.Start with the bottom plate



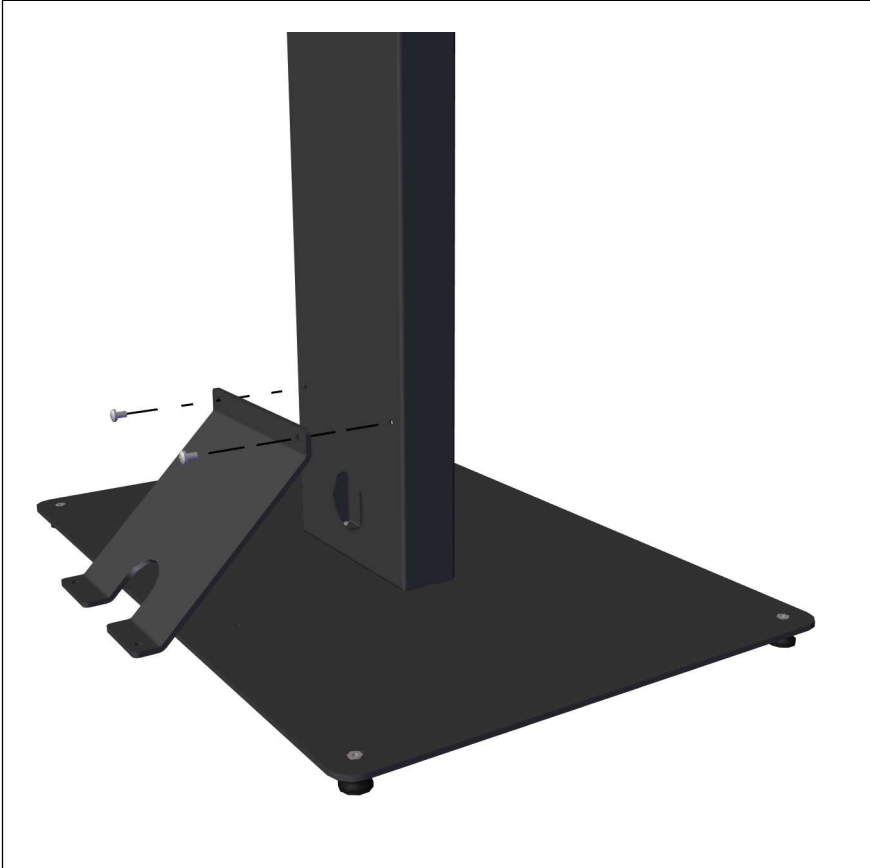
2.Attach the feets with screws from the top of the bottom plate



3. Image of screws attached to the bottom plate



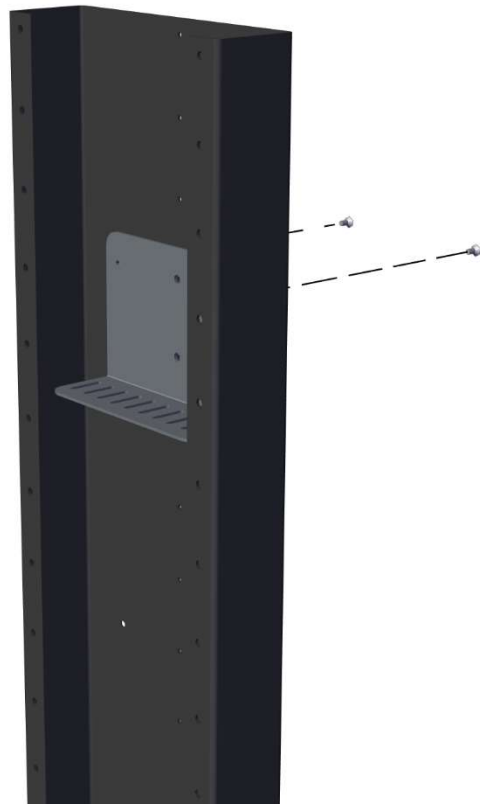
4. Connect the pillar to the bottom plate



5. Connect the backside plate to increase stability



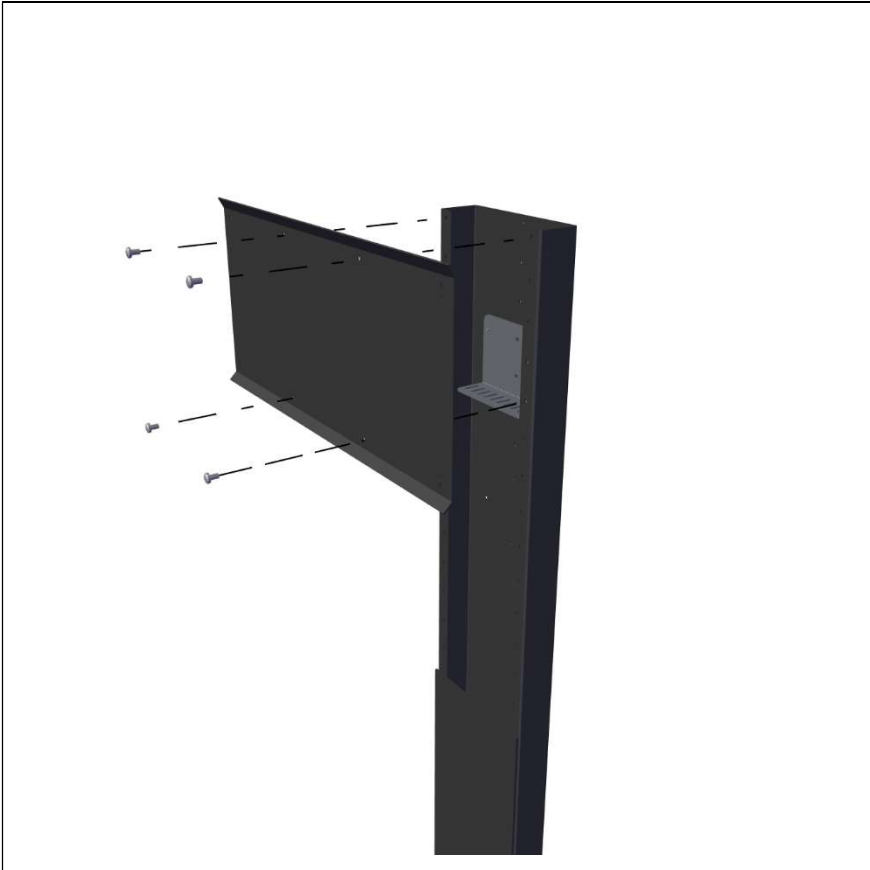
6. Connect the backside plate to increase stability



7. Connect the hatch inside the pillar if external equipment is needed



8. Hatch and pillar is now finished

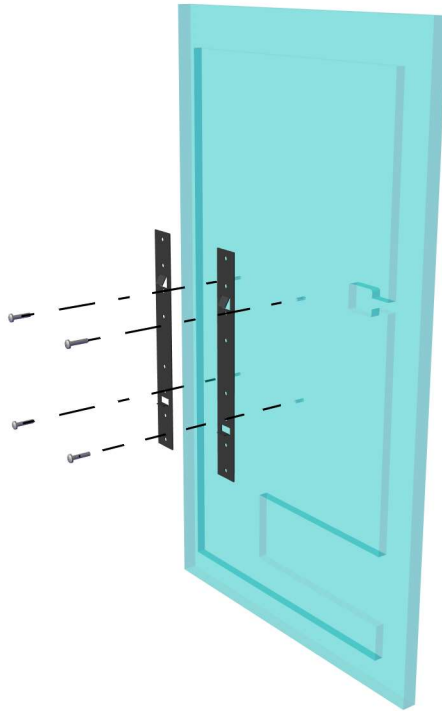


9. Attach the mount to the pillar

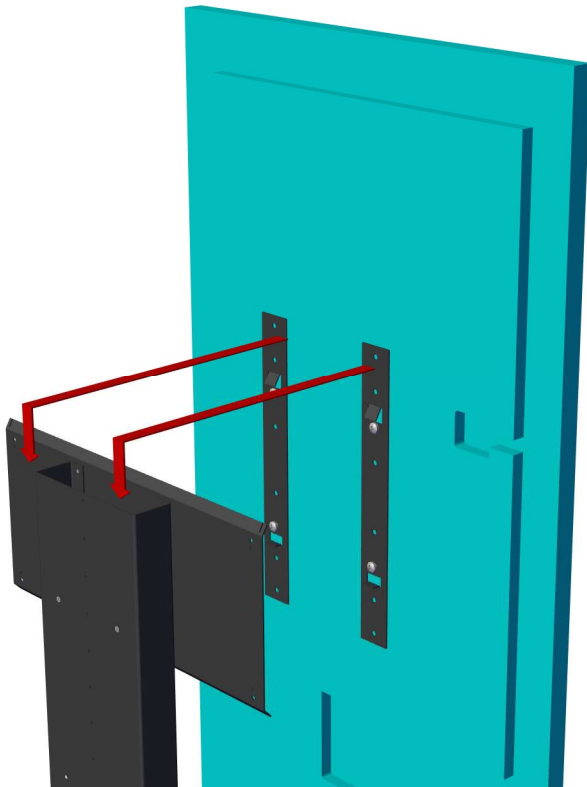


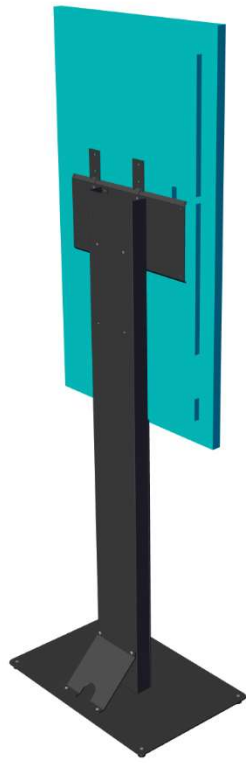
10. Image to show the mount connected to the pillar

11. Connect the VESA brackets to the screen



12. Screen can now be attached to the floorstand





13. Floorstand Universal glass is now finished.

Follow the guide below for information how backcover and frontcover are connected